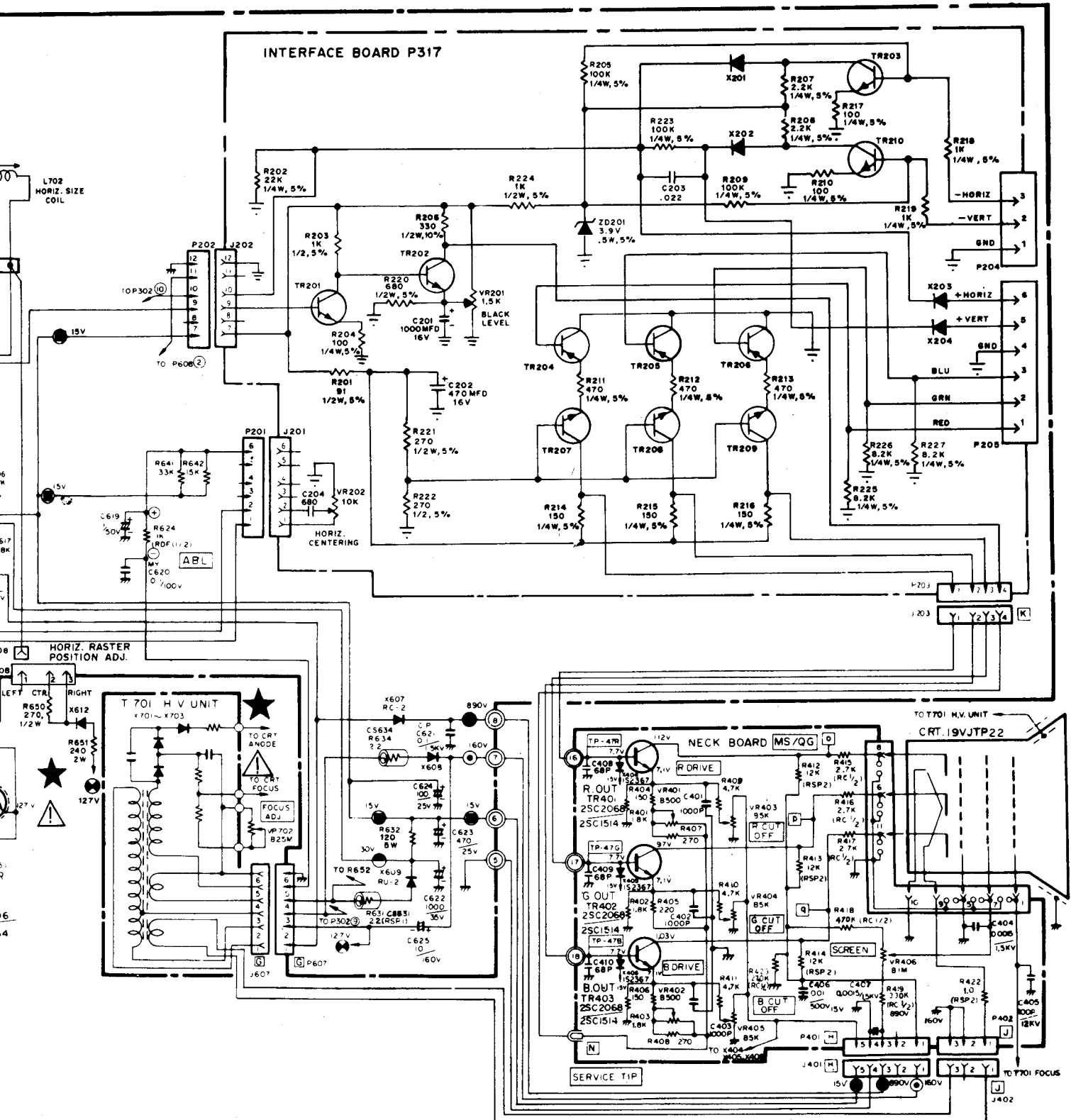


MONITOR SCHEMATIC DIAGRAM

87-A012



K4625A, K4626A, K4675A - 5816

VERT/HOR BOARD (MT/QJ)

| Ref. No. | Part No. | Description | Ref. No. | Part No. | Description |
|------------------|--------------|--------------------------------|---------------------------|--------------|-----------------------------|
| RESISTORS | | | CAPACITORS (CONT.) | | |
| R301 | 203X6500-628 | 820 Ohm, ± 5%, 1/8W Carbon | C313 | 203X0025-087 | 47 uF, 50V Electrolytic |
| R302 | 203X6500-902 | 12k Ohm, ± 5%, 1/8W Carbon | C315 | 203X0015-082 | 10 uF, 25V Electrolytic |
| R303 | 203X6500-927 | 15k Ohm, ± 5%, 1/8W Carbon | C316 | 203X1100-220 | 3300 uF, 50V, ± 10% Mylar |
| R304 | 203X6500-886 | 10k Ohm, ± 5%, 1/8W Carbon | C317 | 202X8000-616 | 100 pF, 50V, ± 10% Ceramic |
| R305 | 203X6501-241 | 330k Ohm, ± 5%, 1/8W Carbon | C351 | 202X7000-281 | 1500 pF, 50V, ± 10% Ceramic |
| R306 | 203X6500-645 | 1k Ohm, ± 5%, 1/8W Carbon | C352 | 202X7000-247 | 1000 pF, 50V, ± 10% Ceramic |
| R307 | 203X6500-689 | 1.5k Ohm, ± 5%, 1/8W Carbon | C353 | 203X1100-573 | 0.022 uF, 50V, ± 10% Mylar |
| R309 | 203X6500-724 | 2.2k Ohm, ± 5%, 1/8W Carbon | C355 | 203X1100-858 | 0.1 uF, 50V, ± 10% Mylar |
| R310 | 203X6501-285 | 470k Ohm, ± 5%, 1/8W Carbon | C356 | 203X0015-105 | 4.7 uF, 25V Electrolytic |
| R311 | 203X6501-065 | 56k Ohm, ± 5%, 1/8W Carbon | C357 | 203X1201-013 | 0.015uF, 200V ± 10% PP |
| R312 | 203X6501-126 | 100k Ohm, ± 5%, 1/8W Carbon | C358 | 203X1201-034 | 0.018 uF, 200V, ± 10% PP |
| R313 | 203X6001-326 | 10k Ohm, ± 5%, 1/8W Carbon | C359 | 203X0040-013 | 4.7 uF, 160V Electrolytic |
| R314 | 203X6501-044 | 47k Ohm, ± 5%, 1/8W Carbon | C360 | 202X7000-482 | 0.01 uF, 50V, ± 10% Ceramic |
| R315 | 203X6500-628 | 820 Ohm, ± 5%, 1/8W Carbon | C361 | 203X1100-509 | 0.015 uF, 50V, ± 10% Mylar |
| R316 | 203X6500-420 | 120 Ohm, ± 5%, 1/8W Carbon | C362 | 203X0025-058 | 10 uF, 50V Electrolytic |
| R317 | 203X6206-441 | 2.2 Ohm, ± 5%, 1/2W Carbon | C363 | 203X1205-487 | 0.01 uF, 630V, ± 10% PP |
| R319 | 203X6500-169 | 100 Ohm, ± 5%, 1/8W Carbon | C364 | 202X7000-482 | 0.01 uF, 50V, ± 10% Ceramic |
| R320 | 203X6500-927 | 15k Ohm, ± 5%, 1/8W Carbon | | | |
| R321 | 203X6700-509 | 560 Ohm, ± 5%, 1/2W Carbon | | | |
| R322 | 203X9100-121 | 22 Ohm, ± 5%, 2W M.O. | | | |
| R323 | 203X6500-689 | 1.5K Ohm, ± 5%, 1/8W Carbon | | | |
| R324 | 203X6500-988 | 27k Ohm, ± 5%, 1/8W Carbon | TR301 | 200X4082-614 | Transistor, 2SA826Q |
| R325 | 203X6500-326 | 47 Ohm, ± 5%, 1/8W Carbon | TR302 | 200X3174-006 | Transistor, 2SC1740Q |
| R328 | 203X6500-628 | 820 Ohm, ± 5%, 1/8W Carbon | TR303 | 200X3174-006 | Transistor, 2SA1740Q |
| R330 | 203X6500-886 | 10k Ohm, ± 5%, 1/8W Carbon | TR304 | 200X3174-006 | Transistor, 2SC1740Q |
| R331 | 203X6501-209 | 220k Ohm, ± 5%, 1/8W Carbon | TR305 | 200X4049-081 | Transistor, 2SA490YLBGLI |
| R351 | 203X6500-724 | 2.2k Ohm, ± 5%, 1/8W Carbon | TR306 | 200X3162-538 | Transistor, 2SC1625YLBGLI |
| R352 | 203X6500-927 | 15k Ohm, ± 5%, 1/8W Carbon | TR307 | 200X3174-014 | Transistor, 2SC1740R |
| R353 | 203X6500-944 | 18k Ohm, ± 5%, 1/8W Carbon | TR308 | 200X3174-006 | Transistor, 2SC1740Q |
| R354 | 203X6500-763 | 3.9k Ohm, ± 5%, 1/8W Carbon | TR351 | 200X4085-415 | Transistor, 2SA854Q |
| R355 | 203X6500-902 | 12k Ohm, ± 5%, 1/8W Carbon | TR352 | 200X3172-208 | Transistor, 2SC1722BKS |
| R356 | 203X6500-551 | 470 Ohm, ± 5%, 1/8W Carbon | TR353 | 200X3174-006 | Transistor, 2SC1740Q |
| R357 | 203X6500-724 | 2.2k Ohm, ± 5%, 1/8W Carbon | TR354 | 200X4082-614 | Transistor, 2SA826Q |
| R358 | 203X6500-666 | 1.2k Ohm, ± 5%, 1/8W Carbon | X301 | 201X2010-144 | Diode, (SI) IS2473-T72 |
| R359 | 203X6501-088 | 68k Ohm, ± 5%, 1/8W Carbon | X302 | 201X2010-144 | Diode, (SI) IS2473-T72 |
| R360 | 203X5500-471 | 27 Ohm, ± 5%, 1/4W Comp. | X303 | 200X8000-026 | Diode, (GE), IN60TVGL |
| R361 | 203X6000-998 | 1.2k Ohm, ± 5%, 1/8W Carbon | X304 | 200X8010-165 | Diode (SI) ISS81 |
| R363 | 203X6500-666 | 1.2k Ohm, ± 5%, 1/8W Carbon | X305 | 201X2010-165 | Diode (SI) ISS81 |
| R364 | 203X9014-988 | 47k Ohm, ± 5%, 1W M.O. | X305 | 201X2010-165 | Diode (SI) ISS81 |
| R365 | 203X6700-989 | 56k Ohm, ± 5%, 1/2W Carbon | X307 | 200X8010-102 | Diode (SI) MA26W |
| R366 | 203X6001-148 | 3.3k Ohm, ± 5%, 1/8W Carbon | X308 | 200X8010-094 | Diode (SI) IS2473 |
| R367 | 340X2222-734 | 2.2k Ohm, ± 5%, 1/2W Carbon | X351 | 201X2010-144 | Diode (SI) IS2473-T72 |
| R368 | 203X6500-785 | 3.9k Ohm, ± 5%, 1/8W Carbon | X352 | 201X2010-144 | Diode (SI) IS2473-T72 |
| R369 | 203X6500-762 | 3.3k Ohm, ± 5%, 1/4W Carbon | X353 | 201X2010-144 | Diode (SI) IS2473-T72 |
| R370 | 302X6100-961 | 1k Ohm, ± 5%, 1/4W Carbon | X354 | 201X2010-144 | Diode (SI) IS2473-T72 |
| R371 | 203X6104-751 | 2.7k Ohm, ± 5%, 1/4W Carbon | X355 | 200X8220-851 | Diode (Zener) RD10EBI |
| VR301 | 204X2122-093 | Varistor, 250K Ohm, Vert. Hold | X366 | 200X8100-130 | Diode (HS) RU-1 0.3 US |
| VR302 | 204X2114-065 | Varistor, 20K Ohm, Vert. Size | | | |
| VR351 | 204X2114-059 | Varistor, 50K Ohm, Hor. Hold | | | |

SEMICONDUCTORS

MISCELLANEOUS

| Ref. No. | Part No. | Description | Ref. No. | Part No. | Description |
|-------------------|--------------|-------------------------------|---------------------------------|--------------|-------------------|
| CAPACITORS | | | TRANSFORMERS & COILS | | |
| C301 | 203X1100-928 | 0.15 uF, 50V, ± 10% Mylar | L351 | 201X5200-091 | Coll, Horiz. Osc. |
| C302 | 203X1100-573 | 0.022 uF, 50V, ± 10% Mylar | | | |
| C304 | 203X1100-858 | 0.1 uF, 50V, ± 10% Mylar | | | |
| C306 | 203X0025-026 | 2.2 uF, 50V, Electrolytic | | | |
| C307 | 203X1100-928 | 0.15 uF, 50V, ± 10% Mylar | | | |
| C309 | 203X1100-858 | 0.1 uF, 50V, ± 10% Mylar | | | |
| C310 | 203X0010-011 | 22 uF, 16V Electrolytic | | | |
| C311 | 203X0020-099 | 1000 uF, 35V Electrolytic | | | |
| C312 | 202X7000-469 | 0.0082 uF, 50V, ± 10% Ceramic | | | |
| | | | J301 | 204X9300-958 | Socket, 6 Pin |
| | | | J302 | 204X9300-958 | Socket, 6 Pin |
| | | | P301 | 204X9601-195 | Plug, 6 Pin |
| | | | P302 | 204X9601-195 | Plug, 6 Pin |
| | | | TH301 | 201X0000-534 | Thermistor |

POWER BOARD (MV)

| Ref. No. | Part No. | Description | Ref. No. | Part No. | Description |
|------------------|--------------|-----------------------------|-----------------------|--------------|-----------------------------|
| RESISTORS | | | SEMICONDUCTORS | | |
| R501 | 204X1725-052 | 180 Ohm, ± 10%, 15W WW | TR501 | 200X3174-006 | Transistor, 2SC1740Q |
| R502 | 203X6000-608 | 100 Ohm, ± 5%, 1/8W Carbon | ★ TR502 | 200X3145-404 | Transistor, 2SC1454 |
| R503 | 203X6000-960 | 1k Ohm, ± 5%, 1/8W Carbon | TR551 | 200X3172-305 | Transistor, 2SC1723 |
| R504 | 203X6000-879 | 560 Ohm, ± 5%, 1/8W Carbon | X501 | 201X2230-042 | Diode, (SI) Zener EQ801-06V |
| R505 | 203X9014-965 | 39k Ohm, ± 5%, 1W M.O. | X502 | 201X2010-144 | Diode, (SI) IS2473-T72 |
| R506 | 203X6500-842 | 6.8k Ohm, ± 5%, 1/8W Carbon | | | |
| R551 | 203X6500-420 | 120 Ohm, ± 5%, 1/8W Carbon | | | |
| VR501 | 204X2080-001 | Varistor Vert. Adj. | | | |

CAPACITORS

MISCELLANEOUS

| | | | | | |
|------|--------------|-----------------------------|-------|--------------|---------------|
| C501 | 203X0040-020 | 10 uF, 160V Electrolytic | J501 | 204X9300-958 | Socket, 6 Pin |
| C502 | 202X7000-281 | 1500 pF, 50V, ± 10% Ceramic | P501 | 204X9601-195 | Plug, 6 Pin |
| | | | TH501 | 201X0000-618 | Thermistor |

NECK BOARD (MS/QG)

| Ref. No. | Part No. | Description | Ref. No. | Part No. | Description |
|------------------|--------------|-------------------------------|----------|--------------|---|
| RESISTORS | | | | | |
| R401 | 203X6500-709 | 1.8k Ohm ± 5% 1/8W Carbon | C403 | 202X7000-247 | 1000 pF, 50V, 10% Ceramic |
| R402 | 203X6500-709 | 1.8k Ohm ± 5% 1/8W Carbon | C404 | 202X7110-019 | 1500 pF, 2kV ± 10% Ceramic |
| R403 | 203X6500-709 | 1.8k Ohm ± 5% 1/8W Carbon | C405 | 202X7150-018 | 100 pF, 12kV, ± 10% Ceramic |
| R404 | 203X6500-447 | 150 Ohm ± 5% 1/8W Carbon | C406 | 202X7050-483 | .01 uF, 500V, ± 10% Ceramic |
| R405 | 203X6500-481 | 220 Ohm ± 5% 1/8W Carbon | C407 | 202X7110-019 | 1500 pF, 2kV ± 10% Ceramic |
| R406 | 203X6500-447 | 150 Ohm ± 5% 1/8W Carbon | C408 | 202X8000-550 | 68 pF, 50V, ± 10% Ceramic |
| R407 | 203X6500-508 | 270 Ohm ± 5% 1/8W Carbon | C409 | 202X8000-550 | 68 pF, 50V, ± 10% Ceramic |
| R408 | 203X6500-508 | 270 Ohm ± 5% 1/8W Carbon | C410 | 202X8000-550 | 68 pF, 50V, ± 10% Ceramic |
| R409 | 203X6500-800 | 4.7k Ohm ± 5% 1/8W Carbon | | | |
| R410 | 203X6500-800 | 4.7k Ohm ± 5% 1/8W Carbon | | | |
| R411 | 203X6500-800 | 4.7k Ohm ± 5% 1/8W Carbon | | | |
| R412 | 203X9104-809 | 12k Ohm ± 5% 2.0W Metal Oxide | | | |
| R413 | 203X9104-809 | 12k Ohm ± 5% 2.0W Metal Oxide | | | |
| R414 | 203X9104-809 | 12k Ohm ± 5% 2.0W Metal Oxide | | | |
| R415 | 203X5601-313 | 2.7k Ohm ± 10% 1/2W Comp. | TR401 | 200X3206-800 | Transistor, 2SC2068, 2SC1514 (R output) |
| R416 | 203X5601-313 | 2.7k Ohm ± 10% 1/2W Comp. | TR402 | 200X3206-800 | Transistor, 2SC2068, 2SC1514 (G output) |
| R417 | 203X5601-313 | 2.7k Ohm ± 10% 1/2W Comp. | TR403 | 200X3206-800 | Transistor, 2SC2068, 2SC1514 (B output) |
| R418 | 203X5602-254 | 470k Ohm ± 10% 1/2W Comp. | | | |
| R419 | 203X5602-185 | 330k Ohm ± 10% 1/2W Comp. | X404 | 201X2100-126 | Diode, IS2367 (protector) |
| R422 | 203X9105-117 | 1.0 Ohm ± 10% 2W Metal Oxide | X405 | 201X2100-126 | Diode, IS2367 (protector) |
| R423 | 203X5102-155 | 270k Ohm ± 5% 1/4W Carbon | X406 | 201X2100-126 | Diode, IS2367 (protector) |
| VR401 | 204X2115-014 | 500 Ohm Varistor R Drive | | | |
| VR402 | 204X2115-014 | 500 Ohm Varistor B Drive | | | |
| VR403 | 204X2115-006 | 5k Ohm Varistor R Cutoff | | | |
| VR404 | 204X2115-006 | 5k Ohm Varistor G Cutoff | | | |
| VR405 | 204X2115-006 | 5k Ohm Varistor B Cutoff | | | |
| VR406 | 204X2000-025 | 1M Ohm Varistor Screen | | | |

SEMICONDUCTORS

MISCELLANEOUS

CAPACITORS

| | | |
|------|--------------|---------------------------|
| C401 | 202X7000-247 | 1000 pF, 50V, 10% Ceramic |
| C402 | 202X7000-247 | 1000 pF, 50V, 10% Ceramic |

| | | |
|------|--------------|---------------|
| J401 | 206X5003-729 | Socket, 5 Pin |
| J402 | 206X5003-983 | Socket, 3 Pin |
| P401 | 204X9600-329 | Plug, 5 Pin |
| P402 | 204X9600-254 | Plug, 3 Pin |

▲★ 297X2000-072 HIGH VOLTAGE ASSEMBLY (T701)

| | | | |
|----------|--------------|--------------------------------|----------------|
| ▲★ R701 | 204X1625-058 | 3.3 Ohm, ± 10% 10W WW Resistor | } Part of T701 |
| ▲★ VR702 | 204X3901-125 | Focus Control | |
| X701 | | Diode (SI HV) | |
| X702 | | Diode (SI HV) | |
| X703 | | Diode (SI HV) | |

FINAL ASSEMBLY PARTS

| | |
|-----------------|------------------------------|
| ▲★ 88X-0129-506 | 19VJTP22 Pix Tube |
| 38A5554-000 | Assy. Purity Shld/Degaussing |
| 205X9800-256 | Lateral/Purity Assembly |
| ▲★ 202X1110-810 | Yoke, Deflection |
| 208X2000-946 | CRT Socket |
| 297X2000-072 | HV Unit (T701) |
| 6A0397 | Plug, Line Cord |
| 9A2753-003 | Degaussing Coil (L701) |

INTERFACE BOARD (P305)

(MODEL 19K4606)

RESISTORS

SEMICONDUCTORS

| | | |
|-------|--------------|-------------------------------|
| R201 | 340X3910-934 | 91 Ohm, 5%, 1/2W Carbon |
| R203 | 340X3102-934 | 1k Ohm, 5%, 1/2W Carbon |
| R204 | 340X2101-934 | 100 Ohm, 5%, 1/4W Carbon |
| R206 | 340X3331-944 | 330 Ohm, 10%, 1/2W Carbon |
| R207 | 340X3102-934 | 1k Ohm, 5%, 1/2W Carbon |
| R208 | 340X1152-934 | 1.5k Ohm, 5%, 1/4W Carbon |
| R209 | 340X2101-934 | 100 Ohm, 5%, 1/4W Carbon |
| R210 | 340X3102-934 | 1k Ohm, 5%, 1/2W Carbon |
| R211 | 340X2331-934 | 330 Ohm, 5%, 1/4W Carbon |
| R212 | 340X2331-934 | 330 Ohm, 5%, 1/4W Carbon |
| R213 | 340X2331-934 | 330 Ohm, 5%, 1/4W Carbon |
| R214 | 340X2201-934 | 200 Ohm, 5%, 1/4W Carbon |
| R215 | 340X2201-934 | 200 Ohm, 5%, 1/4W Carbon |
| R216 | 340X2201-934 | 200 Ohm, 5%, 1/4W Carbon |
| VR201 | 40X0590-017 | 1.5k Ohm, Black Level Control |

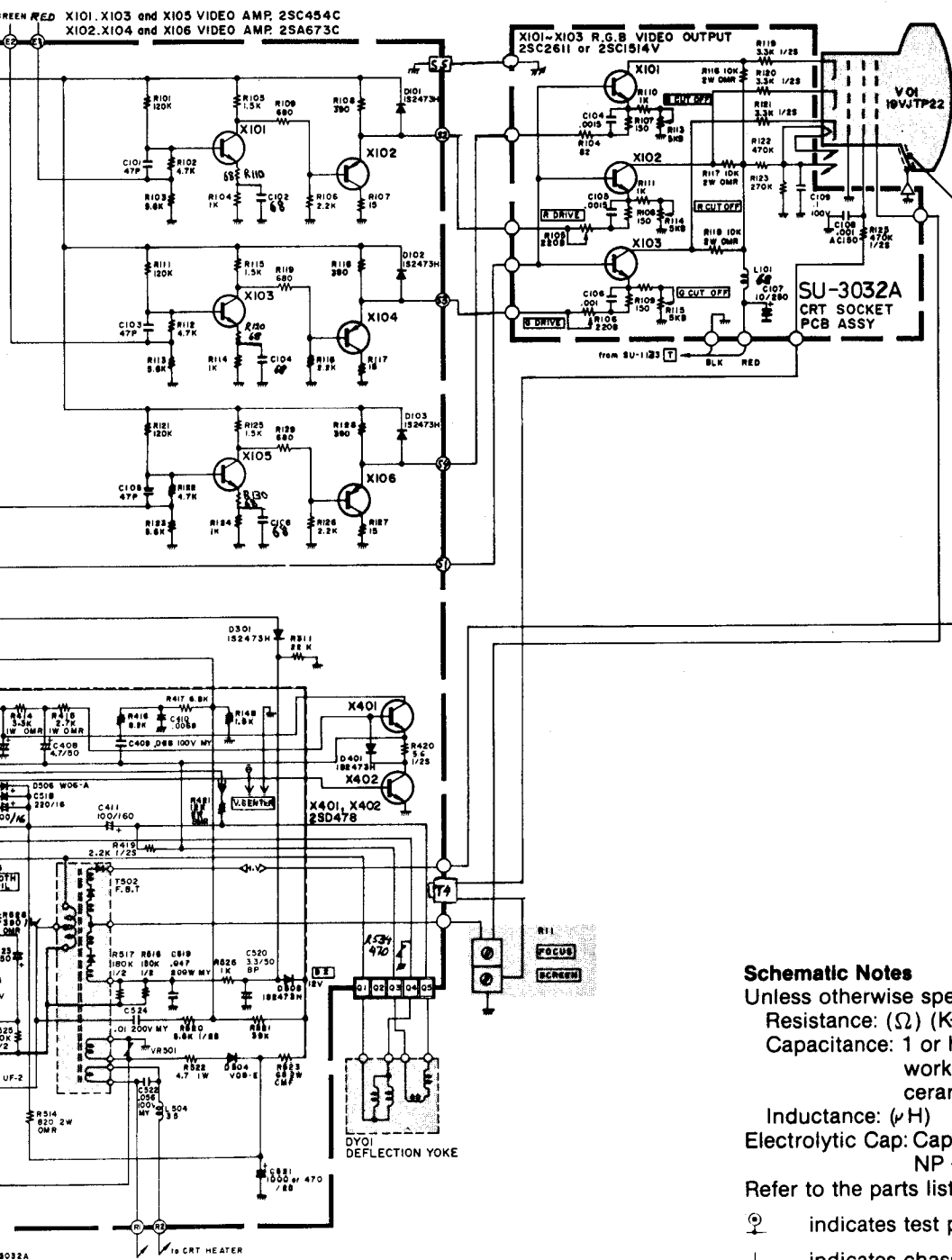
| | | |
|-------|-------------|------------------------------|
| TR201 | 86X0121-001 | Transistor (NPN) |
| TR202 | 86X0121-001 | Transistor (NPN) |
| TR203 | 86X0121-001 | Transistor (NPN) |
| TR204 | 86X0066-001 | Transistor (PNP) |
| TR205 | 86X0066-001 | Transistor (PNP) |
| TR206 | 86X0066-001 | Transistor (PNP) |
| TR207 | 86X0121-001 | Transistor (NPN) |
| TR208 | 86X0121-001 | Transistor (NPN) |
| TR209 | 86X0121-001 | Transistor (NPN) |
| ZD201 | 66X0040-018 | Diode, Zener, 6.8v, 5%, 0.5W |
| ZD202 | 66X0040-019 | Diode, Zener, 3.9v, 5%, 0.5W |

CAPACITORS

MISCELLANEOUS

| | | |
|------|-------------|---------------------------|
| C201 | 45X0524-038 | 1000 uF, 16V Electrolytic |
|------|-------------|---------------------------|

| | | |
|------|--------------|---------------|
| J201 | 204X9300-958 | Socket, 6 Pin |
| J202 | 204X9300-958 | Socket, 6 Pin |
| J203 | 206X5019-207 | Socket, 4 Pin |
| P201 | 204X9601-195 | Plug, 6 Pin |
| P202 | 204X9601-195 | Plug, 6 Pin |
| P203 | 204X9600-845 | Plug, 4 Pin |
| P205 | 6A0393-006 | Plug, 6 Pin |

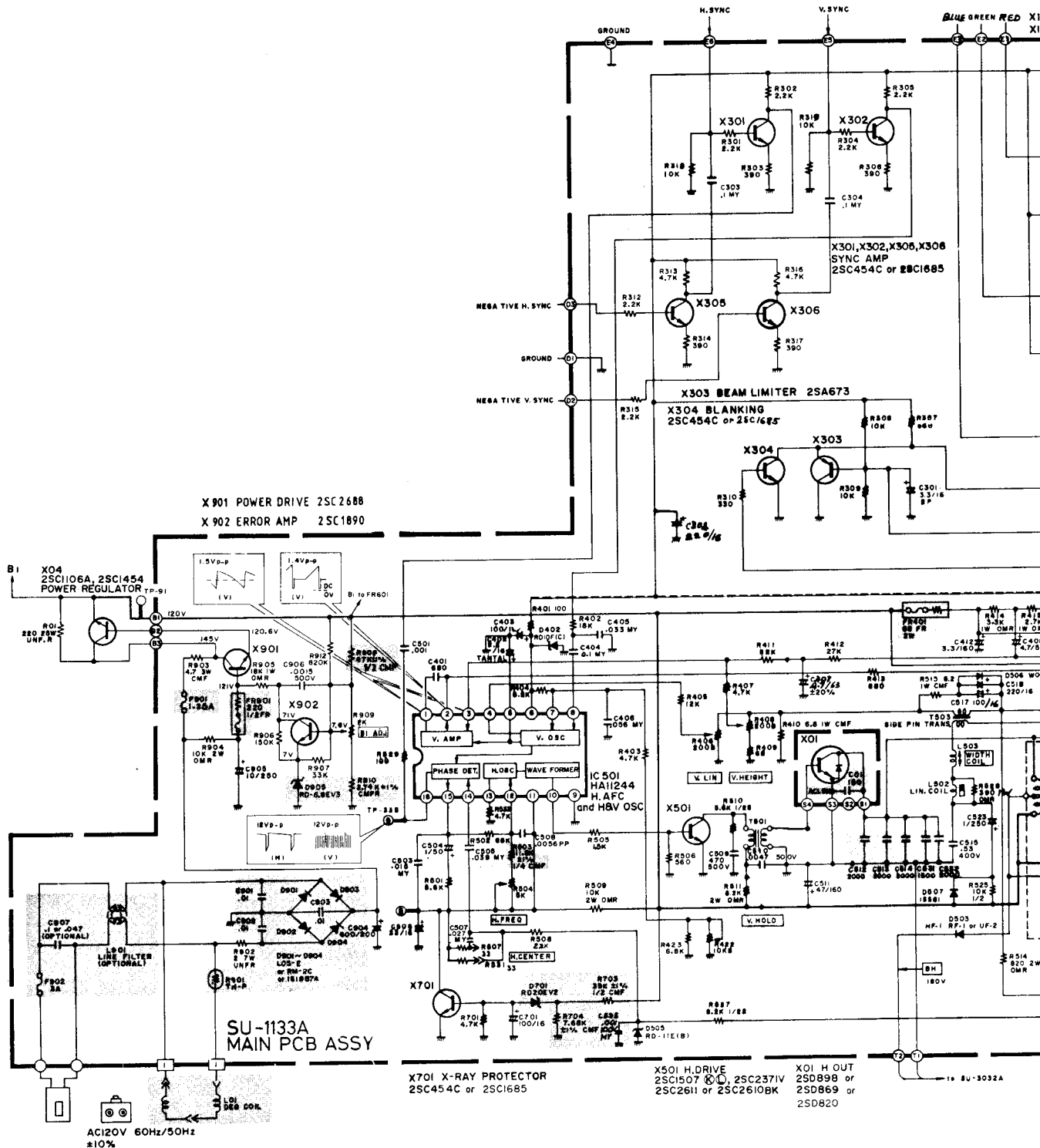


Schematic Notes

- Unless otherwise specified
- Resistance: (Ω) (K \rightarrow K Ω , M \rightarrow M Ω), 1/4 (W) carbon resistor
- Capacitance: 1 or higher \rightarrow (pF), less than 1 \rightarrow (μ F)
- working voltage \rightarrow 50 (V)
- ceramic capacitor
- Inductance: (μ H)
- Electrolytic Cap: Capacitance Value (μ F)/working voltage (V), NP \rightarrow non-polar (or bipolar) electrolytic cap.
- Refer to the parts list for additional component information.
- \odot indicates test point connection
- \perp indicates chassis ground unless otherwise specified
- Hz indicates cycles per second
- For **safety** purposes (and continuing reliability)
- \triangle replace all components marked with safety symbol with identical type.
- NOTE: FR \rightarrow fusible resistor ($\text{---}\text{---}\text{---}$)

00-4147-04
G07-CB0

Parts identification on circuit boards:
e.g. SU1126A (R107 = R1107)
SU3030A (R113 = R3113)



REPLACEMENT PARTS LIST - ELECTROHOME 19" MONITOR

Components identified by the Δ symbol in the PARTS LIST and on the Schematic have special characteristics important to safety.

DO NOT degrade the safety of the set through improper servicing.

Abbreviations for Resistors and Capacitors

Resistor

| | |
|---------|-------------------------------|
| C R | : Carbon Resistor |
| Comp. R | : Composition Resistor |
| OM R | : Oxide Metal Film Resistor |
| V R | : Variable Resistor |
| MF R | : Metal Film Resistor |
| CMF R | : Coating Metal Film Resistor |
| UNF R | : Nonflammable Resistor |
| F R | : Fusible Resistor |

Capacitor

| | |
|-----------|---|
| C Cap. | : Ceramic Capacitor |
| M Cap. | : Mylar Capacitor |
| E Cap. | : Electrolytic Capacitor |
| BP E Cap. | : Bi-Polar (or Non-Polar) Electrolytic Capacitor |
| MM Cap. | : Metalized Mylar Capacitor |
| PP Cap. | : Polypropylene Capacitor |
| MPP Cap. | : Metalized PP Capacitor |
| PS Cap | : Polystyrol Capacitor |
| Tan. Cap. | : Tantal Capacitor |

NOTE: When ordering replacement parts please specify the part number as shown in this list including part name, and model number. Complete information will help expedite the order.

Use of substitute replacement parts which do not have the same safety characteristics as specified, may create shock, fire or other hazards. For maximum reliability and performance, all parts should be replaced by those having identical specifications.

SERVICE REPLACEMENT PARTS LIST

| Symbol | Description | Part Number |
|--------|-------------------------|--------------|
| | Main P.C.B. Ass'y | SU-1133A |
| | CRT Socket P.C.B. Ass'y | SU-3032A |
| | Purity Shield Ass'y | 07-220083-03 |

Outside of the P.C.B. Ass'y

| Symbol | Description | Part Number |
|--------|---|----------------------|
| | Picture Tube 19" | 17-7198-03 |
| △ | △Deflection Yoke | A29779-D = 21-141-01 |
| | PC Magnet | A75034-B = 29-32-01 |
| △ | △Flyback Transf. | A29951-B |
| △ | △HVR | A46600-A |
| R05 | UNF Resistor 220Ω, 25W K | QRF258K-221 |
| C04 | C Capacitor 150pF, AC1.5KV | QCZ0101-005 |
| X01 | Si. Transistor | 2SD870 |
| X02 | Si. Transistor | 2SC1106A |
| SC | Screw #8- $\frac{3}{8}$ | 31-610818-06 |
| SC | Screw $\frac{1}{4}$ x $\frac{3}{4}$ Pix Tube Mtg. (4) | 31-601418-12 |
| WA | Pyramidal Lock Washer (4) | 33-255-01 |
| | Nut Retainer, Pix Tube Mtg. (4) | 33-494-01 |
| | Clip — P.C.B. Support | 33-629-02 |
| | Standoff | 33-670-010R-02 |
| | Wire Terminal (Gnd. Strap) | 34-228-03 |
| | Terminal Lug (Gnd.) | 34-33-04 |
| | Groundstrap Assy. | 34-574-02 |
| | Grounding Spring | 35-212-03 |
| | Wire Hook (Gnd. Strap) | 35-3053-02 |
| | Purity Shield Holddown Clamp | 35-2348-01 |
| | Support Brkt. RH | 35-3890-01 |
| | Support Brkt. LH | 35-3890-02 |
| | Chassis Base | 38-449-02 |
| | Yoke Wedge (3) | 39-1233-01 |

Purity Shield Ass'y. Parts List

| Symbol | Description | Part Number |
|------------|----------------------------------|--------------|
| D911, D912 | Degaussing Coil | 21-1007-30 |
| | Rectifier 1 Amp 600V (2) | 28-22-27 |
| | Pin Terminal (2) | 34-708-01 |
| | Pin Terminal Housing | 34-709-01 |
| | Purity Shield (2 pcs.) | 35-3847-01 |
| | Purity Shield (2 pcs.) | 35-3847-02 |
| C911 | Capacitor 100nF 10% 400V | 48-171544-62 |
| R921 | Resistor, Wirewound 33Ω, 4W | 42-113301-03 |
| | Fire Retardent Term. Strip 4 Lug | 34-492-09 |

CRT Socket P.C.B. Ass'y (SU-3032A) Parts List

Resistors

| Symbol | Description | Part Number |
|--------|---------------------------------|-------------|
| R3105 | V R 200 | QVZ3234-022 |
| R3106 | V R 200 | QVZ3234-022 |
| R3113 | V R 5K | QVZ3234-053 |
| R3114 | V R 5K | QVZ3234-053 |
| R3115 | V R 5K | QVZ3234-053 |
| R3116 | OM R 10KΩ2W J | QRG029J-103 |
| R3117 | OM R 10KΩ2W J | QRG029J-103 |
| R3118 | OM R 10KΩ2W J | QRG029J-103 |
| R3119 | Comp. R 3.3KΩ $\frac{1}{2}$ W K | QRZ0039-332 |
| R3120 | Comp. R 3.3KΩ $\frac{1}{2}$ W K | QRZ0039-332 |
| C3121 | Comp. R 3.3KΩ $\frac{1}{2}$ W K | QRZ0039-332 |

Capacitors

| Symbol | Description | Part Number |
|--------|-------------------------|--------------|
| C3107 | E Cap. 10uF 250V A | QEW53EA-106 |
| C3108 | C Cap. 1000pF DC1400V P | QCZ9001-102M |

Coils

| Symbol | Description | Part Number |
|--------|--------------|-------------|
| L3101 | Peaking Coil | QQL043K-101 |

Semiconductors

| Symbol | Description | Part Number |
|--------|----------------|-------------|
| X3101 | Si. Transistor | 2SC1514VC |
| X3102 | Si. Transistor | 2SC1514VC |
| X3103 | Si. Transistor | 2SC1514VC |

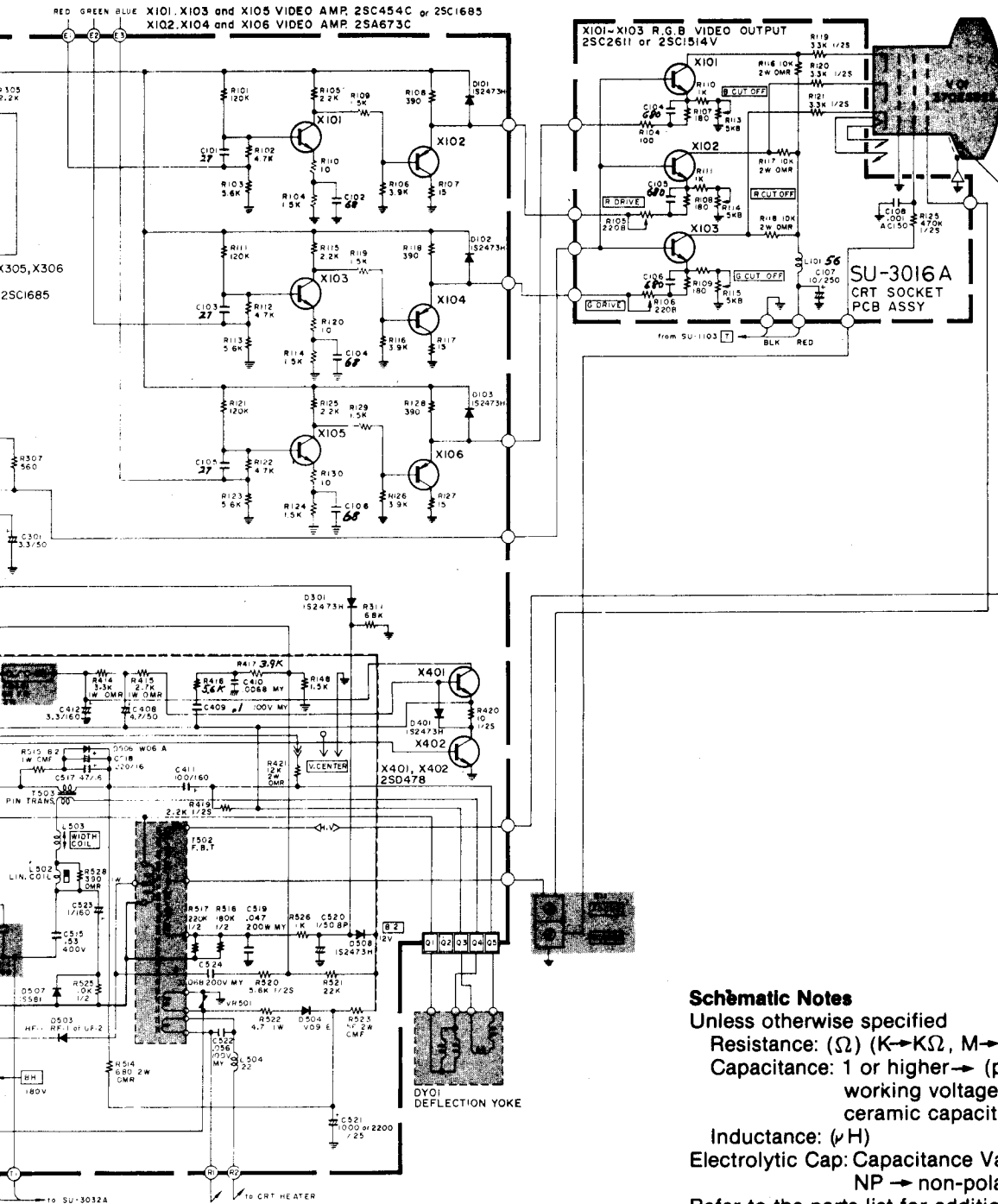
Miscellaneous

| Symbol | Description | Part Number |
|--------|-------------|-------------|
| △ | △CRT Socket | A76068 |

Main PCB Ass'y (SU-1133A) Parts List

| Resistors Symbol | Description | Part Number |
|------------------------------|---------------------------|--------------------|
| R1406 | V R 200Ω | QVZ3230-002 |
| R1408 | V R 200Ω | QVZ3230-002 |
| R1410 | CMF R 6.8Ω1W J | QRX019J-6R8 |
| R1414 | OM R 3.3KΩ1W J | QRG019J-332 |
| R1415 | OM R 2.7KΩ1W J | QRG019J-272 |
| R1421 | OM R 12KΩ2W J | QRG026J-123Z |
| R1422 | V R 10KΩ | QVZ3230-014 |
| △FR1401 | △F R 68Ω2W K | QRH024K-680M |
| △R1503 | △CMF R 11.8KΩ¼W +1% | QRV142F-1182 |
| R1504 | V R 5KΩ | QVZ3230-053 |
| R1509 | OM R 10KΩ2W J | QRG026J-103Z |
| R1512 | OM R 8.2KΩ2W J | QRG026J-822Z |
| R1514 | OM R 820Ω2W J | QRG026J-821Z |
| R1515 | CMF R 8.2Ω1W J | QRX019J-8R2 |
| R1522 | CMF R 4.7Ω1W J | QRX019J-4R7 |
| R1523 | OM R 68Ω2W J | QRG026J-680Z |
| R1528 | OM R 390Ω1W J | QRG019J-391 |
| R1534 | ZN R | ERZ-C05ZK471 |
| VR1501 | ZN R | ERZ-C05DK271 |
| △R1703 | △CMF R 39Ω½W +1% | QRV122F-3902 |
| △R1704 | △CMF R 7.68KΩ¼W +1% | QRV142F-7681 |
| △R1901 | △Posistor | A75414 |
| R1902 | UNF R 2Ω7W K | QRF076K-2R0 |
| R1903 | CMF R 4.7Ω3W J | QRX039J-4R7 |
| R1904 | OM R 10KΩ2W J | QRG026J-103Z |
| R1905 | OM R 18KΩ1W J | QRG019J-183 |
| △Q1908 | △CMF R 47Ω½W +1% | QRV122F-470Z |
| △R1909 | V R 2KΩ | QVP5A0B-023E |
| R1910 | △CMF R 2.74KΩ¼W +1% | QRV142F-274I |
| △FR1901 | △F R 220Ω½W K | QRH124K-221M |
| Capacitors Symbol | Description | Part Number |
| C1301 | BPE Cap. 3.3uF 50V A | QEN61HA-335Z |
| C1402 | Tan. Cap. 2.2uF 16V K | QEE51CK-225B |
| C1407 | E Cap. 4.7uF 6.3V A | QEW51JA-475 |
| C1411 | E Cap. 100uF 160V A | QEW52CA-107 |
| C1412 | E Cap. 3.3uF 160V A | QEW52CA-335 |
| C1508 | PP Cap. 5600uF 50V J | QFP31HJ-562 |
| △C1512 | △PP Cap. 2000pF DC1500V J | QFZ0082-202 |
| △C1513 | △PP Cap. 2000pF DC1500V J | QFZ0082-202 |
| △C1514 | △PP Cap. 2000pF DC1500V J | QFZ0082-202 |
| C1515 | PP Cap. 0.53uF DC1200V J | QFZ0067-534 |
| C1520 | BPE Cap. 3.3uF 50V A | QEN61HA-335Z |
| C1523 | E Cap. 1uF 160V A | QEW62CA-105Z |
| C1524 | M Cap. 0.1uF 200V K | QFM720K-104M |
| △C1531 | △PP Cap. 2000pF DC1500V J | QFZ0082-202 |
| △C1532 | △PP Cap. 1500pF DC1500V J | QFZ0082-152 |
| C1904 | E Cap. | QEY0034-001 |
| C1905 | E Cap. 10uF 250V A | QEW52EA-106 |

| Colls | | |
|-----------------------|--------------------|--------------------|
| Symbol | Description | Part Number |
| L1502 | Linearity Coil | A39835 |
| L1503 | Width Coil | C30380-A |
| L1504 | Heater Choke | C30445-A |
| Transformers | | |
| Symbol | Description | Part Number |
| T1501 | Hor. Drive Transf. | A46022-BM |
| T1503 | Side Pin Transf. | C39050-A |
| Semiconductors | | |
| Symbol | Description | Part Number |
| IC1501 | IC | HA11244 |
| X1101 | Si. Transistor | 2SC1685(R) |
| X1102 | Si. Transistor | 2SA673(C) |
| X1103 | Si. Transistor | 2SC1685(R) |
| X1104 | Si. Transistor | 2SA673(C) |
| X1105 | Si. Transistor | 2SC1685(R) |
| X1106 | Si. Transistor | 2SA673(C) |
| X1301 | Si. Transistor | 2SC1685(R) |
| X1302 | Si. Transistor | 2SC1685(R) |
| X1303 | Si. Transistor | 2SA673(C) |
| X1304 | Si. Transistor | 2SC1685(R) |
| X1305 | Si. Transistor | 2SC1685(R) |
| X1401 | Si. Transistor | 2SD478 |
| X1402 | Si. Transistor | 2SD478 |
| X1501 | Si. Transistor | 2SC2610BK |
| X1901 | Si. Transistor | 2SC2688 (K.L.M.) |
| X1902 | Si. Transistor | 2SC1890A (E.F.) |
| D1101 | Si. Diode | W06A |
| D1102 | Si. Diode | W06A |
| D1103 | Si. Diode | W06A |
| D1301 | Si. Diode | 1SZ473H |
| D1401 | Si. Diode | 1SZ473H |
| D1402 | Zener Diode | RD10F(C) |
| D1503 | Si. Diode | HF-1 |
| D1504 | Si. Diode | V09E |
| D1505 | Zener Diode | RD11E(B) |
| D1506 | Si. Diode | W06A |
| D1507 | Si. Diode | 1SS81 |
| D1508 | Si. Diode | 1SZ473H |
| △D1701 | △Zener Diode | RD20EV2 |
| △D1901 | △Si. Diode | 1S1887A |
| △D1902 | △Si. Diode | 1S1887A |
| △D1903 | △Si. Diode | 1S1887A |
| △D1904 | △Si. Diode | 1S1887A |
| △D1905 | △Zener Diode | RD6.8EV3 |
| Miscellaneous | | |
| Symbol | Description | Part Number |
| △F1901 | △Fuse 1.25A | QMF53U1-1R25S |
| △F1902 | △UL Fuse 3A | QMF66U1-3R0S |



Schematic Notes

Unless otherwise specified

Resistance: (Ω) (K \rightarrow K Ω , M \rightarrow M Ω), 1/4 (W) carbon resistor

Capacitance: 1 or higher \rightarrow (pF), less than 1 \rightarrow (μ F)

working voltage \rightarrow 50 (V)

ceramic capacitor

Inductance: (μ H)

Electrolytic Cap: Capacitance Value (μ F)/working voltage (V),

NP \rightarrow non-polar (or bipolar) electrolytic cap.

Refer to the parts list for additional component information.

\odot indicates test point connection

\perp indicates chassis ground unless otherwise specified

Hz indicates cycles per second

For **safety** purposes (and continuing reliability)

\triangle replace all components marked with safety symbol with identical type.

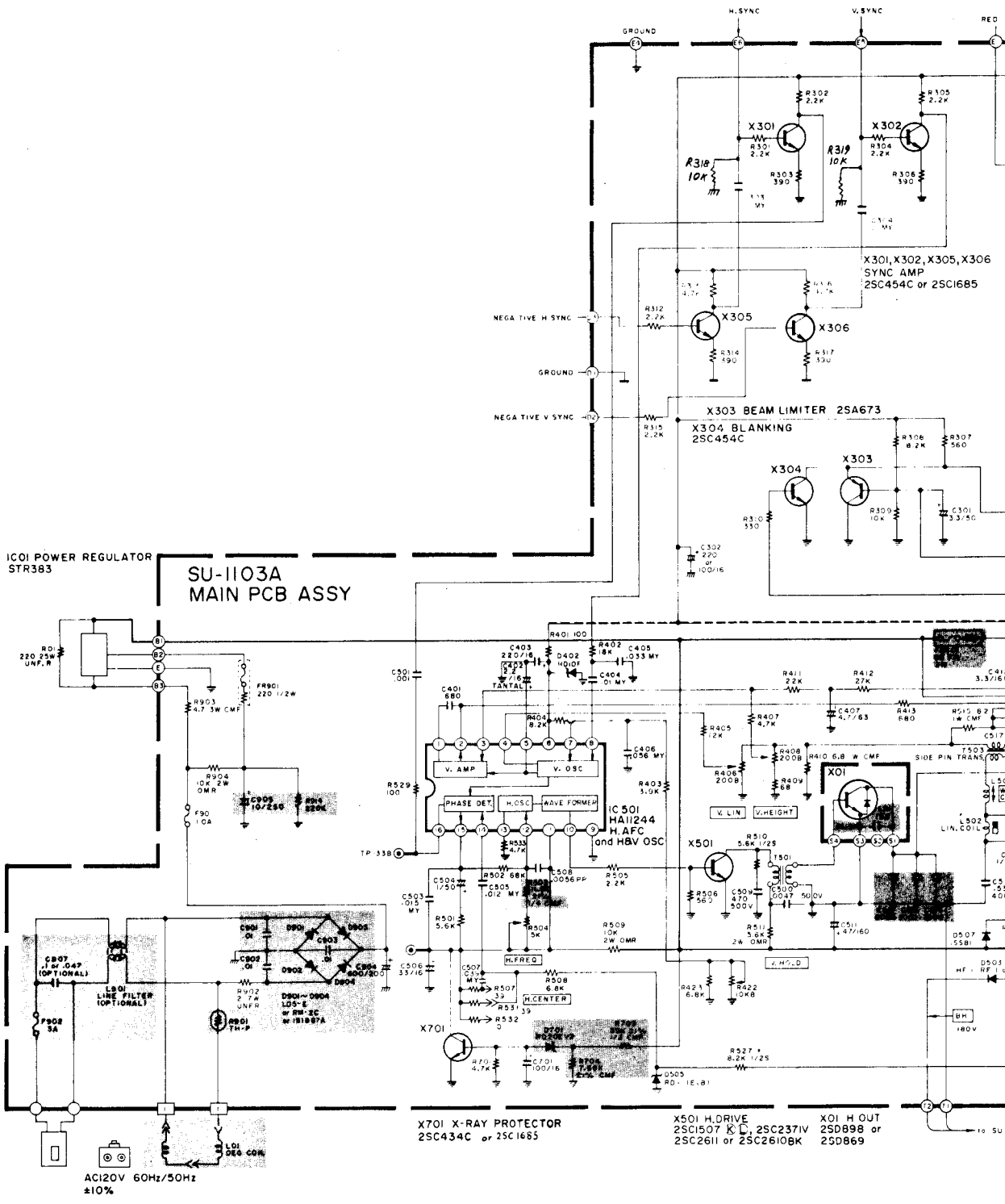
NOTE: FR \rightarrow fusible resistor ($\text{---}\text{---}$)

G07-FBO
00-4147-03

Parts identification on circuit boards:

e.g. SU1126A (R107 = R1107)

SU3030A (R113 = R3113)



REPLACEMENT PARTS LIST - ELECTROHOME 13" MONITOR

Components identified by the Δ symbol in the PARTS LIST and on the Schematic have special characteristics important to safety.

DO NOT degrade the safety of the set through improper servicing.

Abbreviations for Resistors and Capacitors

Resistor

| | |
|---------|-------------------------------|
| C R | : Carbon Resistor |
| Comp. R | : Composition Resistor |
| OM R | : Oxide Metal Film Resistor |
| V R | : Variable Resistor |
| MF R | : Metal Film Resistor |
| CMF R | : Coating Metal Film Resistor |
| UNF R | : Nonflammable Resistor |
| F R | : Fusible Resistor |

Capacitor

| | |
|-----------|--|
| C Cap. | : Ceramic Capacitor |
| M Cap | : Mylar Capacitor |
| E Cap. | : Electrolytic Capacitor |
| BP E Cap. | : Bi-Polar (or Non-Polar) Electrolytic Capacitor |
| MM Cap. | : Metalized Mylar Capacitor |
| PP Cap. | : Polypropylene Capacitor |
| MPP Cap. | : Metalized PP Capacitor |
| PS Cap | : Polystyrol Capacitor |
| Tan. Cap. | : Tantal Capacitor |

NOTE: When ordering replacement parts please specify the part number as shown in this list including part name, and model number. Complete information will help expedite the order.

Use of substitute replacement parts which do not have the same safety characteristics as specified, may create shock, fire or other hazards. For maximum reliability and performance, all parts should be replaced by those having identical specifications.

| Symbol | Description | Part Number |
|--------|-------------------------|-------------|
| | Main P.C.B. Ass'y | SU-1103A |
| | CRT Socket P.C.B. Ass'y | SU-3016A |

Outside of the P.C.B. Ass'y

| Symbol | Description | Part Number |
|---------------|---|--------------|
| Δ V01 | Δ Picture Tube | 370ESB22(E) |
| Δ DY01 | Δ Deflection Yoke | C29123-V |
| | PC Magnet | A76366-A |
| | Wedge | C30006 |
| | Δ Flyback Transf. | A19183-A |
| Δ R11 | Δ Focus V R | A46606-A |
| Δ R05 | UNF Resistor 220 Ω , 25W. K | QRF258K-221 |
| Δ C04 | Δ C Capacitor 150 pF, AC1.5KV | QCZ0101-005 |
| X01 | Si. Transistor | 2SD869 |
| IC01 | IC Regulator | STR383 |
| L01 | Degaussing Coil | 21-1007-31 |
| | Degaussing Coil Pin Terminal (2) | 34-708-01 |
| | Degaussing Coil Pin Terminal Housing | 34-709-01 |
| | Groundstrap Ass'y. | 34-697-04 |
| | Groundstrap Wire Terminal | 34-228-03 |
| | Groundstrap Spring (2) | 35-3560-01 |
| BR | Support Bracket RH | 35-3919-01 |
| BR | Support Bracket LH | 35-3919-02 |
| SC | SCREW 10- $\frac{1}{2}$ Pix Tube Mtg. (4) | 31-631018-08 |
| WA | Pyramidal Lockwasher (4) | 33-255-01 |
| | Clip P.C.B. Support (2) | 33-629-02 |
| | Ground Lug | 34-33-04 |
| CH | Chassis Base | 38-452-01 |

Main P.C.B. Ass'y (SU-1103A) Parts List

Resistors

| Symbol | Description | Part Number |
|-----------------|--|--------------|
| R1406 | V R 200 Ω | QVZ3230-022 |
| R1408 | V R 200 Ω | QVZ3230-022 |
| R1410 | CMF R 6.8 Ω 1W J | QRX019J-6R8 |
| R1414 | OM R 3.3K Ω 1W J | QRG019J-332 |
| R1415 | OM R 2.7K Ω 1W J | QRG019J-272 |
| R1421 | OM R 12K Ω 2W J | QRG029J-123 |
| R1422 | V R 10K Ω | QVZ3224-014H |
| Δ FR1401 | Δ F R 68 Ω 2W K | QRH024K-680M |
| Δ R1503 | Δ CMF R 11.8K Ω 1/4W +1% | QRV142F-1182 |
| R1504 | V R 5K Ω | QVZ3230-053 |
| R1509 | OM R 10K Ω 2W J | QRG029J-103 |
| R1511 | OM R 5.6K Ω 2W J | QRG029J-562 |
| R1514 | OM R 680 Ω 2W J | QRG029J-681 |
| R1515 | CMF R 8.2 Ω 1W J | QRX019J-8R2 |
| R1522 | CMF R 4.7 Ω 1W J | QRX019J-4R7 |
| R1523 | OM R 56 Ω 2W J | ORG029J-560 |
| R1528 | OM R 390 Ω 1W J | ORG019J-391 |
| R1534 | ZN R | ERZ-C05ZK471 |
| VR1501 | ZN R | ERZ-C05DK271 |
| Δ R1703 | Δ CMF R 39K Ω 1/4W +1% | QRV122F-3902 |
| Δ R1704 | Δ CMF R 7.68K Ω 1/4W +1% | QRV142F-7681 |
| Δ R1901 | Δ Posistor | A75414 |
| R1902 | UNF R 2 Ω 7W K | QRF076K-2R0 |
| R1903 | CMF R 5.6 Ω 3W J | QRX039J-5R6 |
| R1904 | OM R 10K Ω 2W J | QRG026J-103Z |
| Δ FR1901 | Δ F R 220 Ω 1/2W K | QRH124K-221M |

Capacitors

| Symbol | Description | Part Number |
|----------------|---------------------------------------|--------------|
| C1402 | Tan. Cap. 2.2 μ F 16V K | QEE51CK-225B |
| C1411 | E Cap. 100 μ F 160V A | QEW52CA-107 |
| C1412 | E Cap. 3.3 μ F 160V A | QEW52CA-335 |
| C1508 | PP Cap. 5600pF 50V J | QFP31HJ-562 |
| C1511 | E Cap. 47 μ F 160V A | QEW52CA-476S |
| Δ C1512 | Δ PP Cap. 2000pF DC1500V J | QFZ0082-202 |
| Δ C1513 | Δ PP Cap. 2000pF DC1500V J | QFZ0082-202 |
| Δ C1514 | Δ PP Cap. 2500pF DC1500V J | QFZ0082-252 |
| C1515 | PP Cap. 0.53 μ F DC1200V K | QFZ0067-534 |
| C1520 | BPE Cap. 1 μ F 50V A | QEN61HA-105Z |
| C1524 | M Cap. 0.1 μ F 200V K | QFM72DK-682M |
| C1904 | E Cap. | QEY0034-001 |
| C1905 | E Cap. 10 μ F 250V A | QEW52EA-106 |
| Δ C1907 | Δ MM Cap. 0.1 μ F AC150V Z | QFZ9008-104 |

Coils

| Symbol | Description | Part Number |
|--------|--------------|-------------|
| L1501 | Peaking Coil | A75360-6 |
| L1502 | Linear Coil | A39934 |
| L1503 | Width Coil | C30380-A |
| L1504 | Heater Choke | C30333-A |
| L1901 | Line Filter | A39475-J |

Transformers

| Symbol | Description | Part Number |
|--------|--------------------|-------------|
| T1501 | Hor. Drive Transf. | A46022-BM |
| T1503 | Side Pin Transf. | C39050-A |

| Semiconductors | | |
|-----------------------|--------------------|--------------------|
| Symbol | Description | Part Number |
| IC1501 | I.C. | HA11244 |
| X1101 | Si. Transistor | 2SC1685(R) |
| X1102 | Si. Transistor | 2SA673(C) |
| X1103 | Si. Transistor | 2SC1685(R) |
| X1104 | Si. Transistor | 2SA673(C) |
| X1105 | Si. Transistor | 2SC1685(R) |
| X1106 | Si. Transistor | 2SA673(C) |
| X1301 | Si. Transistor | 2SC1685(R) |
| X1302 | Si. Transistor | 2SC1685(R) |
| X1303 | Si. Transistor | 2SA673(C) |
| X1304 | Si. Transistor | 2SC1685(R) |
| X1305 | Si. Transistor | 2SC1685(R) |
| X1401 | Si. Transistor | 2SD478 |
| X1402 | Si. Transistor | 2SD478 |
| X1501 | Si. Transistor | 2SC2610BK |
| X1701 | Si. Transistor | 2SC1685(P-S) |
| D1101 | Si. Diode | W06A |
| D1102 | Si. Diode | W06A |
| D1103 | Si. Diode | W06A |
| D1301 | Si. Diode | 1S2473H |
| D1401 | Si. Diode | 1S2473H |
| D1402 | Zener Diode | RD10F(C) |
| D1503 | Si. Diode | HF-1 |
| D1504 | Si. Diode | V09E |
| D1505 | Zener Diode | RD11E(B) |
| D1506 | Si. Diode | W06A |
| D1507 | Si. Diode | 1SS81 |
| D1508 | Si. Diode | 1S2473H |
| △D1701 | △Zener Diode | RD20EV2 |
| △D1901 | △Si. Diode | 1S1887A |
| △D1902 | △Si. Diode | 1S1887A |
| △D1903 | △Si. Diode | 1S1887A |
| △D1904 | △Si. Diode | 1S1887A |
| Miscellaneous | | |
| Symbol | Description | Part Number |
| △F1901 | △Fuse 1A | QMF53U1-1R0S |
| △F1902 | △UL Fuse 3A | QMF66U1-3R0S |

CRT Socket P.C.B. Ass'y (SU-3016A) Parts List

Resistors

| Symbol | Description | Part Number |
|--------|----------------------------|-------------|
| R3105 | V R 200 Ω | QVZ3234-022 |
| R3106 | V R 200 Ω | QVZ3234-022 |
| R3113 | V R 5K Ω | QVZ3234-053 |
| R3114 | V R 5K Ω | QVZ3234-053 |
| R3115 | V R 5K Ω | QVZ3234-053 |
| R3116 | OM R 10K Ω 2W J | QRG029J-103 |
| R3117 | OM R 10K Ω 2W J | QRG029J-103 |
| R3118 | OM R 10K Ω 2W J | QRG029J-103 |
| R3119 | Comp. R 3.3K Ω ½W K | QRZ0039-332 |
| R3120 | Comp. R 3.3K Ω ½W K | QRZ0039-332 |
| R3121 | Comp. R 3.3K Ω ½W K | QRZ0039-332 |

Capacitors

| Symbol | Description | Part Number |
|--------|-------------------------|--------------|
| C3107 | E Cap. 10uF 250V A | QEW52EA-106 |
| C3108 | C Cap. 1000pF DC1400V P | QCZ9001-102M |

Coils

| Symbol | Description | Part Number |
|--------|--------------|-------------|
| L3101 | Peaking coil | QQL043K-101 |

Semiconductors

| Symbol | Description | Part Number |
|--------|----------------|-------------|
| X3101 | Si. Transistor | 2SC2611 |
| X3102 | Si. Transistor | 2SC2611 |
| X3103 | Si. Transistor | 2SC2611 |

Miscellaneous

| Symbol | Description | Part Number |
|--------|--------------|-------------|
| △ | △ CRT Socket | A75522 |