

# JR. PAC-MAN

UNDER AGREEMENT BY NAMCO LTD.

## INSTRUCTION MANUAL

*Bally*

MIDWAY MFG. CO.

10601 W. Belmont Avenue  
Franklin Park, Illinois 60131  
U.S.A.



Phone: (312) 451-9200    Cable Address: MIDCO    Telex No.: 72-1596

**WARNING**

**THIS GAME MUST BE GROUNDED. FAILURE TO DO SO MAY RESULT IN DESTRUCTION TO ELECTRONIC COMPONENTS.**

**WARNING:** This equipment generates, uses, and can radiate radio frequency energy and if not used in accordance with the instructions manual, may cause interference to radio communications. It has been tested and found to comply with the limits for a CLASS A computing device pursuant to SUBPART J of PART 15 of FCC RULES, which are designed to provide reasonable protection against such interference when operated in a commercial environment. Operation of this equipment in a residential area is likely to cause interference in which case the user at his own expense will be required to take whatever measures may be required to correct the interference.

**ELECTRICAL BULLETIN:** FOR ALL APPARATUS COVERED BY THE CANADIAN STANDARDS ASSOCIATION (CSA) STANDARD C22.2 NO. 1, WHICH EMPLOYS A SUPPLY CORD TERMINATED WITH A POLARIZED 2-PRONG ATTACHMENT PLUG.

**CAUTION:** TO PREVENT ELECTRIC SHOCK DO NOT USE THIS (POLARIZED) PLUG WITH AN EXTENSION CORD, RECEPTACLE OR OTHER OUTLET UNLESS THE BLADES CAN BE FULLY INSERTED TO PREVENT BLADE EXPOSURE.

**ATTENTION:** POUR PREVENIR CHOCS ELECTRIQUES NE PAS UTILISER CETTE FICHE POLARISEE AVEC UN PROLONGATEUR. UNE PRISE DE COURANT OU UNE AUTRE SORTIE DE COURANT, SAUF SI LES LAMES PEUVENT ETRE INSEREES A FOND SANS EN LAISSER AUCUNE PARTIE A DECOUVERT.

**Bally MIDWAY**<sup>TM</sup>

*Invites You To Use*

**OUR TOLL FREE NUMBERS FOR SERVICE INFORMATION CONCERNING THIS GAME, OR ANY OTHER BALLY MIDWAY GAME YOU NOW HAVE ON LOCATION.**

**CALL US FOR PROMPT, COURTEOUS ANSWERS TO YOUR PROBLEMS.**

**VIDEO → Continental U.S. 1-800-323-7182**

**PINBALL → Continental U.S. 1-800-323-3555**

**Bally MIDWAY**<sup>TM</sup>

10601 West Belmont Avenue, Franklin Park, Illinois, 60131

phone (312)451-9200

© COPYRIGHT MCMLXXXIV BY BALLY MIDWAY MFG. CO.

ALL RIGHTS RESERVED

NO PART OF THIS PUBLICATION MAY BE REPRODUCED BY ANY MECHANICAL, PHOTOGRAPHIC, OR ELECTRONIC PROCESS, OR IN THE FORM OF A PHONOGRAPHIC RECORDING, NOR MAY IT BE TRANSMITTED, OR OTHERWISE COPIED FOR PUBLIC OR PRIVATE USE, WITHOUT PERMISSION FROM THE PUBLISHER. THIS MANUAL IS FOR SERVICE USE ONLY, AND NOT FOR GENERAL DISTRIBUTION. FOR PERMISSION REQUESTS, WRITE: BALLY MIDWAY MFG. CO., 10601 W. BELMONT AVE., FRANKLIN PARK, IL 60131

Printed in U.S.A.

# JR PAC MAN

## GAME OPERATION

JR. PAC-MAN is a one or a two player game with a color T.V. monitor. The game has four possible modes of operation: ATTRACT, READY-TO-PLAY, PLAY, and SELF-TEST.

### SELF-TEST MODE

The Self-Test mode is a special mode for checking the game switches and computer functions. It is the easiest and best way to check for proper operation of the entire game.

**NOTE:** Putting the game into Self-Test will cause it to *erase* any CREDITS it has on it from its memory.

You may begin a Self-Test at any time after the power to the game is on by sliding the Self-Test switch to the "ON" position. Now that the game is in the Self-Test mode, it will react as follows:

1. First, you will see several moving multicolored patterns appear on the screen.
2. Immediately following this, a right side up test display is shown on the monitor screen. The game will remain in this Self-Test mode until you set the Self-Test switch back to the "OFF" position.
3. To check your game function switches and buttons (coin counter switches, door opening button, 1 PLAYER and 2 PLAYER buttons): activate each one while the game is in the Self-Test mode. You should hear a different game sound for each activation. If you do not hear it, the switch/button is either not working, miswired, or disconnected. Check it out thoroughly.
4. When finished with the Self-Test mode, slide the Self-Test switch back to the "OFF" position.

5. Normal game functions will now return to the monitor screen.
6. If you wish to produce **ONLY** a CROSS HATCH test pattern on the monitor screen for further use, slide the Self-Test switch to the "ON" position, wait for the Self-Test display to appear, and then turn it "OFF" again. A cross hatch pattern appears immediately on the screen and will remain for about one second. To retain it, set the Self-Test switch back "ON" again quickly (BEFORE the cross hatch pattern disappears). It will now remain on the screen until you set the Self-Test switch to the "OFF" position again. At that time normal game functions will return.

### ATTRACT MODE

1. The Attract mode starts:
  - Just after power has been turned on to the game. (Self-Test switch is in the "OFF" position.)
  - After a Self-Test has been completed. (Performing a Self-Test sets the credits in the games memory to zero "0".)
  - After a play has been finished and there are no more credits left in the games memory.
  - No matter where the game is in the Attract mode sequence, it will immediately go to the Ready-To-Play mode display as soon as a game has been paid for.

## READY-TO-PLAY MODE

1. The Ready-To-Play mode starts when enough coins have been accepted for a 1 or a 2 player game.
2. The Ready-To-Play mode ends when either the "1 PLAYER" or the "2 PLAYER" push button is pressed.
3. If no START button is pressed, the displays will remain on the monitor screen indefinitely.

## PLAY MODE

1. The Play mode begins when either the "1 PLAYER" or the "2 PLAYER" start button is pressed.
2. The Play mode ends when all of your JR. PAC-MEN have been caught. When this happens, "GAME OVER" is written across the center of the monitor screen.

## TWO PLAYER OPERATION

In the two player mode, the rules of play are the same as in the single player mode. There are some additional rules, however.

1. The players must take turns at the controls.
2. Your turn lasts until the pursuers catch your JR. PAC-MAN. At this point, the game will do one of several things depending on whether or not the caught JR. PAC-MAN was your last or if you still have others remaining in reserve.

## JR. PAC-MAN CAUGHT - OTHERS REMAINING IN RESERVE

- The GAME stops.
- Next, the Rack changes to the Rack number the other player is in, and what's left of the other players Rack and his JR. PAC-MAN appear on the screen.
- Play then begins for the other player.

## JR. PAC-MAN CAUGHT - NO OTHERS REMAINING IN RESERVE

- Game displays "GAME OVER".
- The Rack changes to the Rack number the other player is in, what's left of the other players maze and his JR. PAC-MAN appear on the monitor screen, and game play then begins for the other player.
- After the last player has finished his game, the game will either go to the Attract mode (if there are no more credits left in its memory) or into the Ready-To-Play mode (if there are still credits left in its memory).

## RACK ADVANCE

Your NEW game is equipped with a RACK ADVANCE feature that can allow you to view and/or play the higher racks for test purposes. It is activated in the following manner:

1. Open the games coin door and rear access door.
2. Turn the power to the game on.
3. Gently pull out the plunger on the Safety Interlock Switch located just inside the rear access door.
4. Using the Test Credit Button, put a credit on the game.
5. Press the "1 PLAYER" start button.
6. **IMMEDIATELY** set switch number 7 of the DIP SWITCH PACK located at 9-D on the games P.C. Board to the "ON" position.
7. The game will now automatically advance through it's racks continuously.
8. When finished, set the above switch back to the "OFF" position, and close and lock all the games doors.
9. Normal game functions will now return.

## JR. PAC-MAN SCORING

DESCRIPTION	POINTS AWARDED
SMALL DOTS	10 POINTS EACH
LARGE DOTS	50 POINTS EACH
ENERGIZER DOTS	50 POINTS EACH
TRICYCLE	100 POINTS EACH
KITE	200 POINTS EACH
DRUM	500 POINTS EACH
BALLOON	700 POINTS EACH
TRAIN	1000 POINTS EACH
CAT	2000 POINTS EACH
SODA MUG	5000 POINTS EACH

### JR. PAC-MAN

### OPTION SWITCH SETTINGS

////////////////////////////////////METHOD OF PLAY////////////////////////////////////

	SW#1	SW#2	SW#3	SW#4	SW#5	SW#6	SW#7	SW#8
FREE PLAY	ON	ON						
*1 COIN 1 PLAY	OFF	ON						
1 COIN 2 PLAYS	ON	OFF						
2 COINS 1 PLAY	OFF	OFF						

////////////////////////////////////NUMBER OF JR. PAC-MEN PER GAME////////////////////////////////////

1 JR. PAC-MAN	ON	ON
2 JR. PAC-MEN	OFF	ON
*3 JR. PAC-MEN	ON	OFF
5 JR. PAC-MEN	OFF	OFF

////////////////////////////////////BONUS JR. PAC-MEN////////////////////////////////////

*BONUS JR. PAC-MAN AT 10,000 POINTS	ON	ON
BONUS JR. PAC-MAN AT 15,000 POINTS	OFF	ON
BONUS JR. PAC-MAN AT 20,000 POINTS	ON	OFF
BONUS JR. PAC-MAN AT 30,000 POINTS	OFF	OFF

////////////////////////////////////SPECIAL FUNCTIONS////////////////////////////////////

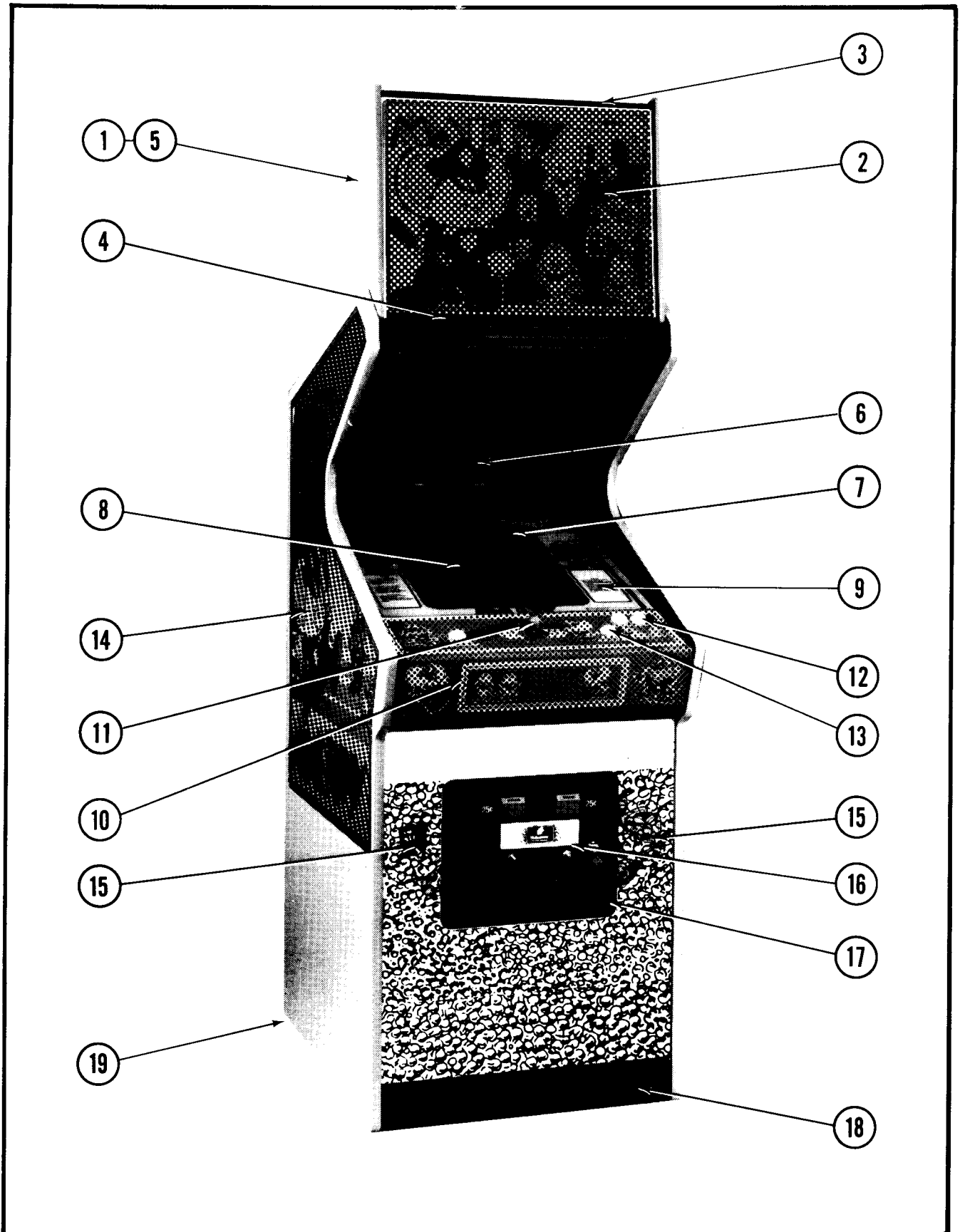
AUTOMATIC RACK ADVANCE	ON	OFF
FREEZE VIDEO (MONITOR PRESENTATION STOPS MOVING)	OFF	ON
*GAME OPERATES NORMALLY	OFF	OFF

\*INDICATES FACTORY RECOMMENDED SETTINGS

PART NO. M051-00A29-A007

## **II. Illustrated Parts Breakdown**

NO. 0A29 - JR. PAC-MAN - UPRIGHT - FRONT



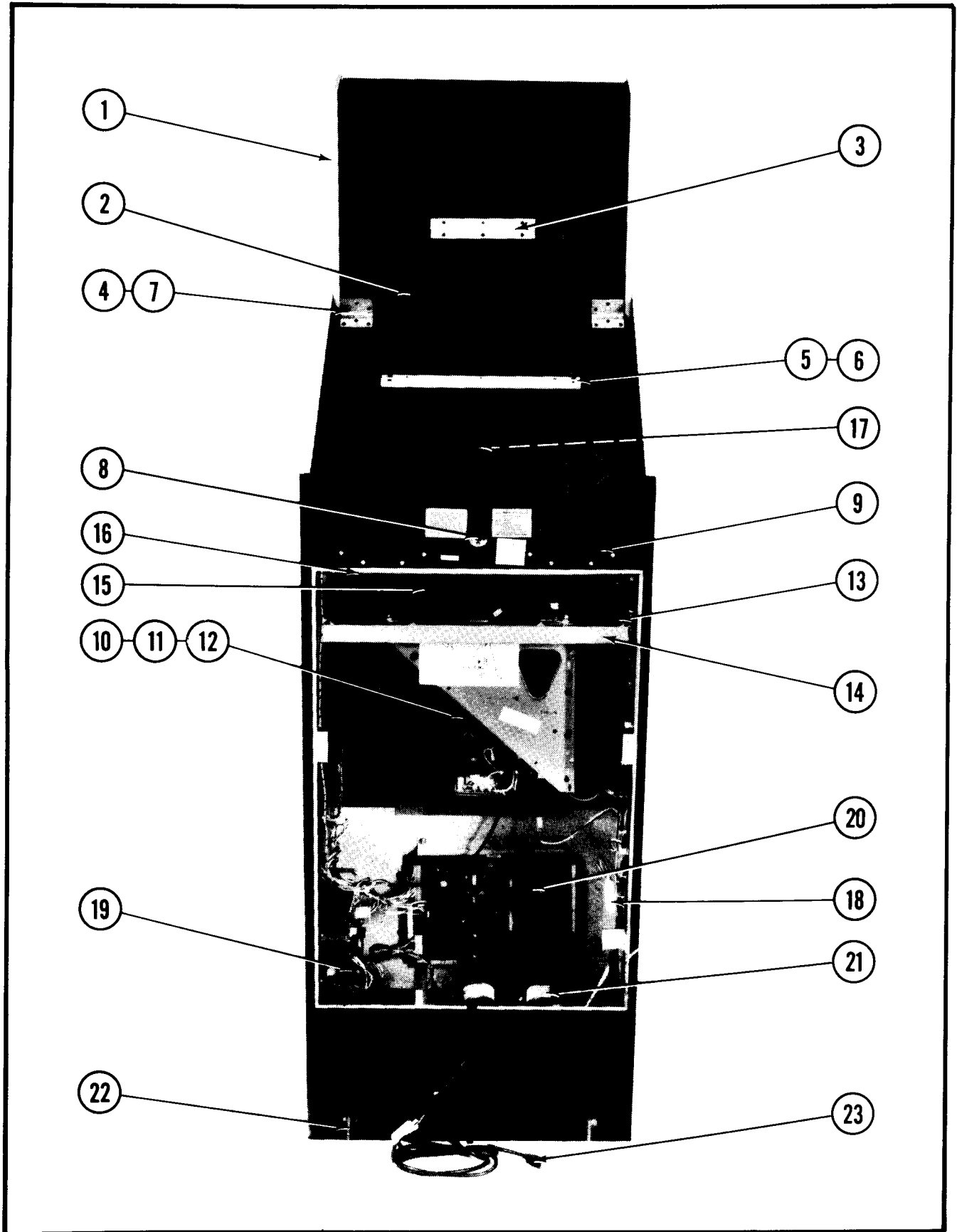
**NO. 0A29 - JR. PAC-MAN - UPRIGHT - FRONT - PARTS LIST**

*ORDER BY PART NUMBER ONLY*

ITEM	PART NO.	DESCRIPTION
1	A353-00011-0000	HEADER ASSY.
2	0A29-00900-00XF	HEADER - 17-7/16"x21 7/8"
3	0353-00103-00XF	HEADER RETAINER - UPPER
4	A353-00014-00XF	HEADER RETAINER ASSY. - LOWER
	0017-00101-0138	#8-5/8 TORX TAMPER RESISTANT SCR. (6 REQ'D.)
5	A353-00021-0000	FLUOR. HEADER LIGHT ASSY. (2 REQ'D.)
6	0017-00009-0393	BLACK SPEAKER GRILL W/SLOTS
	0017-00003-0259	6"x9" SPEAKER - 8 OHM, 8W.
	0017-00101-0127	#8-32x1 1/2 CARRIAGE BOLT (4 REQ'D.)
	0017-00103-0061	#8-32 HEX NUT W/SEMS (4 REQ'D.)
7	0508-00900-0000	T.V. BEZEL
8	0508-00905-0000	PLEXI-DIFFUSER
	0508-00901-0000	PLEXI-GLASS CLIPS (4 REQ'D.)
	0017-00101-0017	#6x 1/2 BLK. SLT. HEX HD. SCREW (4 REQ'D.)
9	0A29-00900-00XF	MAIN VIEWING GLASS
	0508-00108-0000	GLASS STOP BRKT.
	0017-00101-0017	#8x 3/4 SLT. HEX HD. M.S. (3 REQ'D.)
10	A353-00019-0000	OVERLAY - CONTROL SHELF PLATE ASSY.
	A353-00018-0000	CONTROL SHELF PLATE WELD ASSY.
	0353-00903-0000	DECORATIVE OVERLAY
	0353-00107-0100	CONTROL SHELF MTG. BRKT. - RIGHT
	0353-00107-0200	CONTROL SHELF MTG. BRKT. - LEFT
	0555-00901-0000	PLASTIC LOCATING PIN (4 REQ'D.)
	0017-00009-0534	BASSICK CLAMP (3 REQ'D.)
	0017-00101-0141	#8x11/16 UNSLOT. HEX HD. SCR. (10 REQ'D.)
	0353-00906-0000	CONTROL SHELF STRAP
11	A353-00015-0000	CONTROL ASSEMBLY
	A353-00006-0000	CONTROL SHELF CABLE ASSY.
12	0017-00042-0260	PUSH BUTTON ASSY. - WHITE (2 REQ'D.)
13	0017-00042-0257	PUSH BUTTON ASSY. - YELLOW (2 REQ'D.)
	0017-00032-0093	PUSH BUTTON SWITCH W/HOLDER (4 REQ'D.)
	0017-00103-0054	5/8-11 PAL NUT (4 REQ'D.)
14	0A29-00902-0200	DECAL-LEFT SIDE
	0A29-00902-0100	DECAL - RIGHT SIDE (NOT SEEN)
15	0A29-00906-0000	FRONT DECAL - KIT
16	A090-00300-11BK	U.S.A. 25¢ DOUBLE COIN DOOR ASSY.
	A982-00015-0000	COIN DOOR CABLE ASSY.
17	0090-00002-04BK	LARGE COIN DOOR FRAME
	0017-00101-0121	#6-32x5/16 PHIL. TRS. HD. SCR. (3 REQ'D.)
18	0935-00906-0100	KICK PLATE - 23" LG.
19	0017-00102-0048	3/8-16x2" LEG LEVELERS (4 REQ'D.)
	0017-00103-0026	3/8-16 LEG LEVELER HEX NUTS (4 REQ'D.)



NO. 0A29 - JR. PAC-MAN - UPRIGHT - REAR



**NO. 0A29 - JR. PAC-MAN - UPRIGHT - REAR - PARTS LIST**

ORDER BY PART NUMBER ONLY

ITEM	PART NO.	DESCRIPTION
1	A353-00011-0000	HEADER ASSY.
2	0353-00110-0000	HEADER SUPPORT BRACE
3	0353-00102-0000	SUPPORT ARM BRACKET
4	0017-00009-0545	SUPPORT HINGE (2 REQ'D.)
5	0353-00109-0000	POSITIONING BRKT.
6	0017-00101-0138	#8x $\frac{5}{8}$ TORX TAMPER RESISTANT SCR. (22 REQ'D.)
7	0017-00101-0149	#10x $\frac{1}{8}$ TORX TAMPER RESISTANT SCR. (2 REQ'D.)
	0017-00104-0011	#10 EXT. STAR WASHER (2 REQ'D.)
	0017-00104-0039	#10 FLAT WASHER (2 REQ'D.)
8	A945-00038-0000	ON-OFF SWITCH & PLATE ASSY.
9	0894-00916-0000	PLASTIC PULL & VENT (2 REQ'D.)
	0017-00101-0141	#8x $\frac{11}{16}$ UNSLOT. HEX HD. M.S. (8 REQ'D.)
10	0017-00003-0339	ELECTROHOME - 19" COLOR DUAL SYNC. HORIZ. MTG. MONITOR (OR)
11	0017-00003-0439	WELLS-GARDNER - 19" COLOR DUAL SYNC. HORIZ. MTG. MONITOR (OR)
12	0017-00003-0454	ZENITH - 19" COLOR DUAL SYNC. HORIZ. MTG. MONITOR
13	0349-00101-0000	MONITOR RAIL (2 REQ'D.)
	0555-00901-0000	PLASTIC LOCATING PIN (4 REQ'D.)
	0017-00101-0141	#8x $\frac{11}{16}$ UNSLOT HEX HD. M.S. (8 REQ'D.)
14	0349-00100-0000	MONITOR MTG. ANGLE BRKT. (2 REQ'D.)
	0017-00101-0144	#10-24x $\frac{5}{8}$ SLT. HEX W/WASHER SCR. (4 REQ'D.)
	0017-00101-0082	#10x $\frac{3}{4}$ UNSLOT HEX HD. BOLT (4 REQ'D.)
	0017-00104-0011	#10 EXT. WASHER (4 REQ'D.)
15	0508-00900-0000	19" T.V. BEZEL
	0508-00106-0000	BEZEL MTG. BRKT.
16	0508-00108-0000	GLASS STOP BRKT.
	0017-00101-0027	#8x $\frac{3}{4}$ SLT. HEX HD. M.S. (3 REQ'D.)
17	0017-00003-0259	6"x9" SPEAKER - 8 OHM, 8W.
18	A088-00016-0000	INTELOCK SWITCH & SPRING BRKT. ASSY.
19	AA29-00006-0000	CARD RACK ASSY. W/BOARDS
20	A082-90427-A000	POWER SUPPLY P.C.B. ASSY. - 70VA.
	0624-00902-0100	P.C. SUPPORT BRKT. - 12" LG. (2 REQ'D.)
	0624-00902-0500	P.C. SUPPORT BRKT. - 6 $\frac{1}{2}$ " LG. (2 REQ'D.)
	0317-00102-0000	P.C. MTG. BRACE BRKT. (4 REQ'D.)
	0017-00101-0141	#8x $\frac{11}{16}$ UNSLOT HEX HD. M.S. (10 REQ'D.)
	0017-00104-0037	#8 FLAT WASHER (10 REQ'D.)
21	A945-00036-0002	POWER CHASSIS ASSY. - 70VA., 115V.
22	A961-00007-0000	CASTER ASSEMBLY (2 REQ'D.)
	0961-00109-0000	WHEEL BRKT. (2 REQ'D.)
	0017-00042-0255	PLASTIC WHEEL (2 REQ'D.)
	0894-00702-00XF	SHAFT (2 REQ'D.)
	0017-00100-0037	$\frac{3}{8}$ " E-RING (2 REQ'D.)
23	A945-00019-0000	LINE CORD ASSY.

**NO. 0A29 - JR. PAC-MAN - UPRIGHT - REAR - PARTS LIST**

*ORDER BY PART NUMBER ONLY*

ITEM	PART NO.	DESCRIPTION
		<b>ADDITIONAL PARTS LIST</b>
	A950-00004-0000	COIN BOX ASSEMBLY
	A950-00006-0100	WIRE COIN BOX CRADLE ASSY.
	0950-00105-0000	COIN BOX COVER
	0950-00104-0000	COIN BOX HANDLE
	0950-00101-0000	COIN DEFLECTOR (2 REQ'D.)
	0950-00900-0000	LARGE PLASTIC COIN BOX
	A097-00009-0000	BACK DOOR LOCK ASSY.
	0017-00009-0490	5% SQR. VENT GRILL (4 REQ'D.)
	A353-00008-0000	MASTER CABLE W/BRKT. ASSY.
	A353-00010-0000	HIGH VOLTAGE CABLE ASSY.
	A316-00010-0000	LOW VOLTAGE CABLE ASSY.
	A508-00034-0000	AUDIO ADAPTOR CABLE ASSY.
	A508-00035-0000	VIDEO ADAPTOR CABLE ASSY.
	A508-00024-0000	SIGNAL CABLE ASSY.

**PAC-MAN/MS. PAC-MAN TO JR. PAC-MAN - PARTS LIST**

*ORDER BY PART NUMBER ONLY*

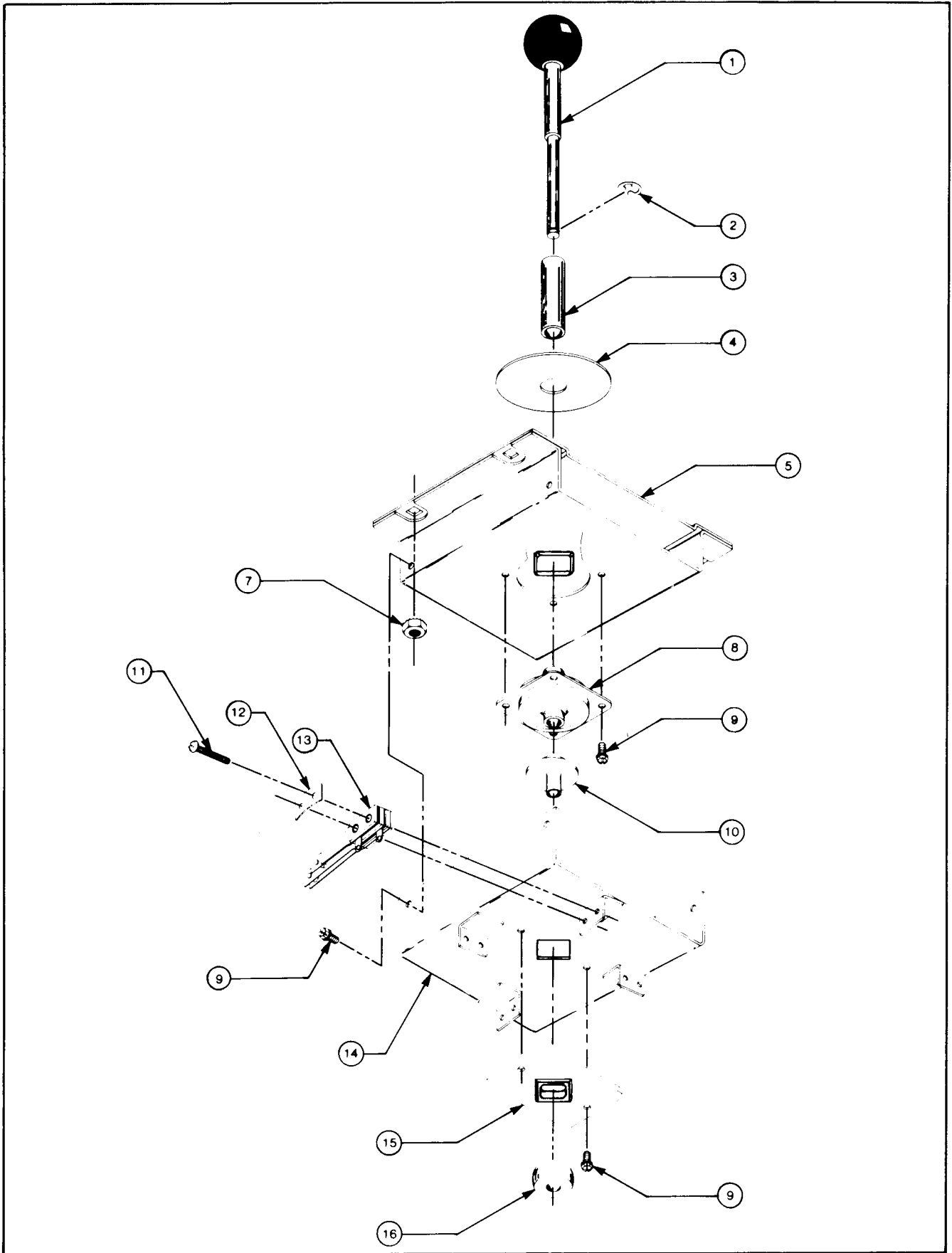
ITEM	PART NO.	DESCRIPTION
	0A29-00901-00XF	HEADER
	0A29-00908-00XF	HEADER - KIT
	0A29-00906-0000	FRONT DECAL - KIT
	0A29-00907-0000	CONTROL SHELF OVERLAY - KIT

**NO. 0A29 - JR. PAC-MAN - CONTROL ASSY. - PARTS LIST**

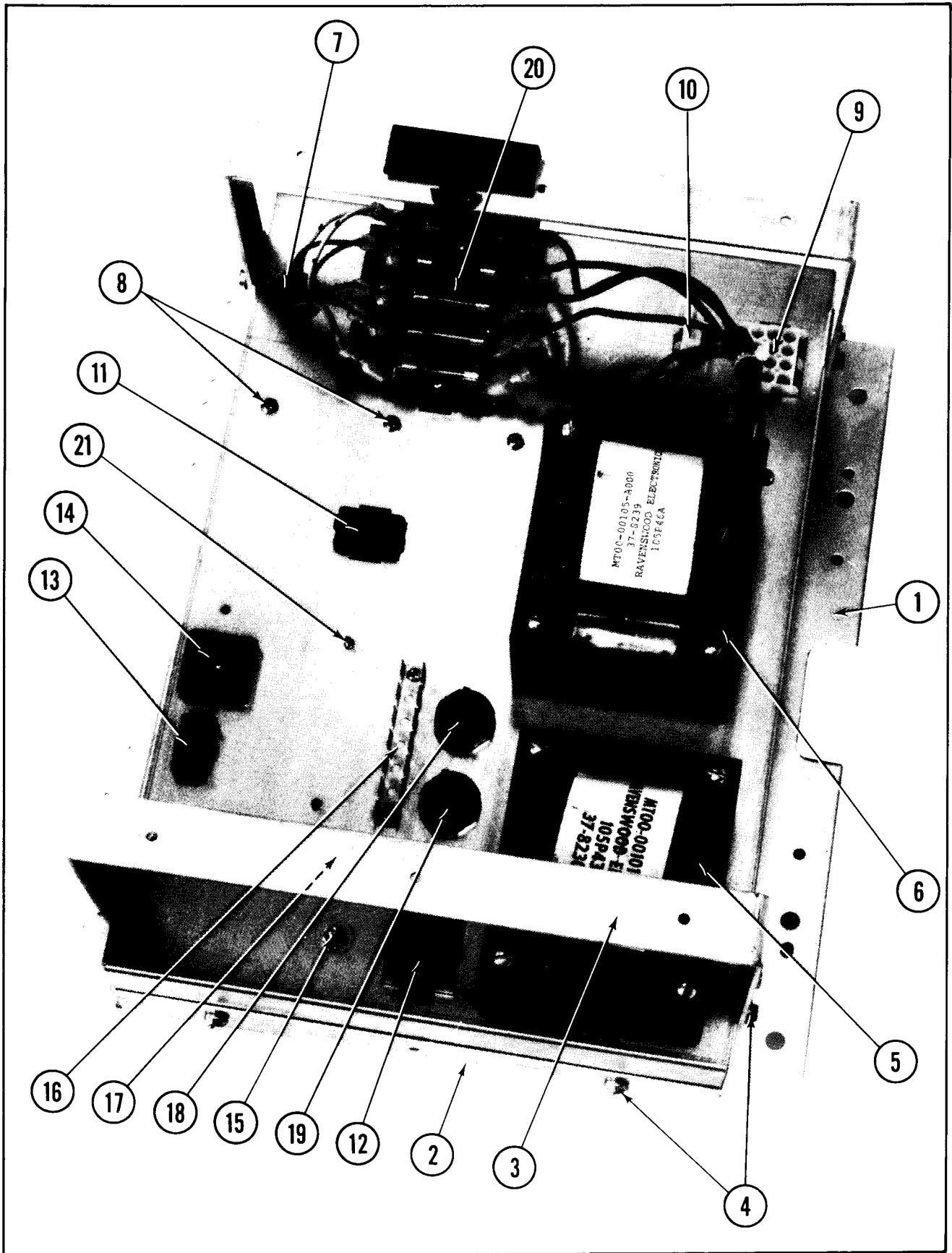
*ORDER BY PART NUMBER ONLY*

ITEM	PART NO.	DESCRIPTION
1	A932-00022-0000	BALL & SHAFT ASSEMBLY
2	0017-00100-0025	1/4 E-RING
3	0921-00702-0000	STOP SPACER
4	0921-00902-0000	SLIDE PLATE
5	A982-00019-0000	PIVOT PLATE WELD ASSY.
7	0017-00103-0061	#8-32 HEX NUT W/SEMS (4 REQ'D.)
8	0932-00902-0000	GROMMET
9	0017-00101-0598	#8-32 x 5/16 SLT. HEX HD. M.S. (10 REQ'D.)
10	0962-00904-0000	SLEEVE
11	0017-00101-0527	#5-40 x 5/8 SLT. RND. HD. SCR. (8 REQ'D.)
12	0020-00202-0000	SWITCH PLATE (4 REQ'D.)
13	A932-00009-0000	SWITCH ASSEMBLY (4 REQ'D.)
14	A316-00019-0000	STOP PLATE & SWITCH BRKT. ASSY.
15	0932-00905-0000	WEAR PLATE
16	0921-00700-0000	ACTUATOR

NO. 0A29 - JR. PAC-MAN - CONTROL ASSY.



NO. 0A29 - JR. PAC-MAN - POWER CHASSIS ASSY. - 70VA, 115V.

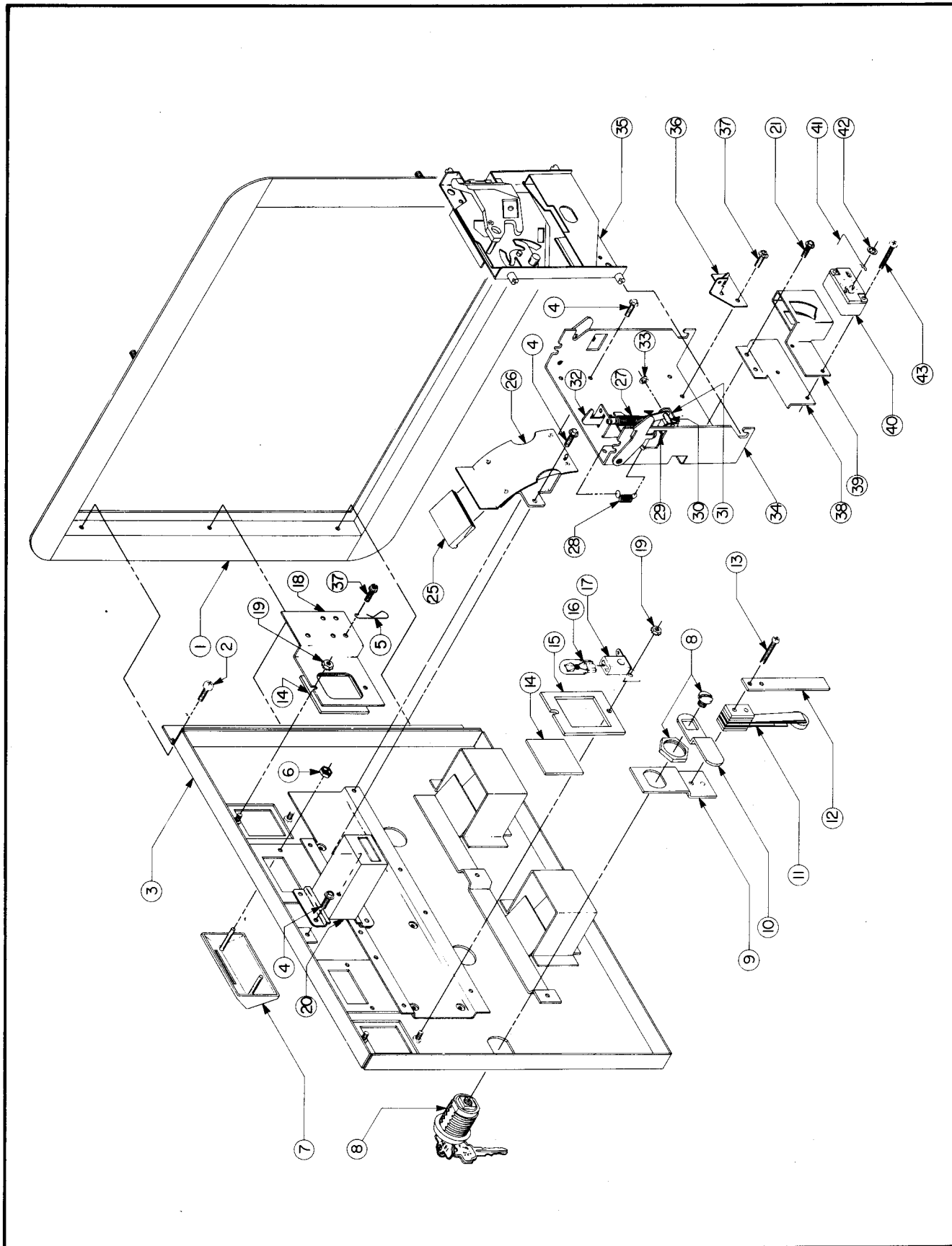


**NO. 0A29 - JR. PAC-MAN - POWER CHASSIS ASSY. - 70VA, 115V. - PARTS LIST**

ORDER BY PART NUMBER **ONLY**

ITEM	PART NO.	DESCRIPTION
1	A945-00045-00XF	CHASSIS & PARTITION ASSY.
2	A945-00029-0100	MTG. PLATE & BARRIER ASSY.
3	0945-00107-01XF	STRAP (2 REQ'D.)
4	0017-00101-0123	#8 x 1/4 UNSLOT. HD. SCR. (12 REQ'D.)
5	MT00-00101-B000	ISOLATION TRANSFORMER W/O SHIELD ASSY. — 115 V., 50/60 HZ. (UPRIGHT ONLY)
5	MT00-00102-B000	ISOLATION TRANSFORMER W/SHIELD ASSY. — 115V., 50/60 HZ. (COCKTAIL ONLY)
6	0017-00103-0061	#8-32 HEX NUT W/SEMS (4 REQ'D.)
6	MT00-00105-A000	POWER TRANSFORMER W/O SHIELD — 70VA, 115V. (UPRIGHT ONLY)
6	MT000-00105-B000	POWER TRANSFORMER W/SHIELD — 70VA, 115V. (COCKTAIL ONLY)
7	0017-00103-0061	#8-32 HEX NUT W/SEMS (4 REQ'D.)
7	0945-00902-0000	SNAP BRUSHING (3 REQ'D.)
8	0017-00101-0067	#6 x 3/8 PHIL. PAN HD. SCR. (11 REQ'D.)
9	A945-00030-0400	CONNECTOR & CABLE ASSY.
10	0017-00021-0297	2 POSITION CONNECTOR
11	A945-00030-0300	CONNECTOR & CABLE ASSY.
12	A945-00030-0500	CONNECTOR & CABLE ASSY.
13	A945-00030-0200	CONNECTOR & CABLE ASSY.
14	A945-00021-0000	CONVENIENCE OUTLET ASSY.
15	0017-00101-0573	#6-32 x 1/2 PHIL. RND HD. SCR. (2 REQ'D.)
15	0017-00103-0084	#6-32 HEX NUT W/SEMS (2 REQ'D.)
15	A945-00025-0000	FILTER ASSY. — 125V. — UNDER CHASSIS (NOT SEEN)
16	0017-00021-0510	TERMINAL STRIP
16	0017-00101-0140	#4-40 x 5/16 PHIL. PAN HD. SCR. (2 REQ'D.)
17	0017-00101-0660	#10-32 x 3/4 SLT. PAN HD. SCREW (NOT SEEN)
17	0017-00104-0107	#10 FLAT WASHER
17	0017-00103-0081	#10-32 HEX NUT W/SEMS
18	0017-00003-0263	SLO-BLO FUSE — 4A., 250V.
19	0017-00003-0005	FUSE — 2A., 250V.
19	0017-00003-0444	FUSE HOLDER — QUICK CONN. (2 REQ'D.) — FOR ABOVE FUSES
20	0945-00904-0000	5 POSITION FUSE HOLDER
20	0945-00908-0000	FUSE BLOCK INSULATOR
20	0017-00003-0217	SLO-BLO FUSE — 2.5A., 250V. (2 REQ'D.)
20	0017-00003-0321	SLO-BLO FUSE — 5A., 250V. (2 REQ'D.)
20	0017-00003-0263	SLO-BLO FUSE — 4A., 250V.
20	0945-00903-0000	FUSE HOLDER BARRIER
21	0017-00101-0067	#6 x 3/8 PHIL. PAN HD. SCREW (2 REQ'D.)
21	0017-00101-0780	#6 x 1/2 PHIL. PAN HD. SCREW (2 REQ'D.)
21	0017-00021-0629	5 POSITION TERMINAL STRIP (UNDER CHASSIS)
21	A945-00019-0000	LINE CORD ASSY. — 115V. (NOT SHOWN)
21	A945-00033-0000	MAGNETIC SHIELD & LABEL ASSY. (NOT SHOWN)

FRONT DOOR ASSEMBLY — U.S.A. 25¢



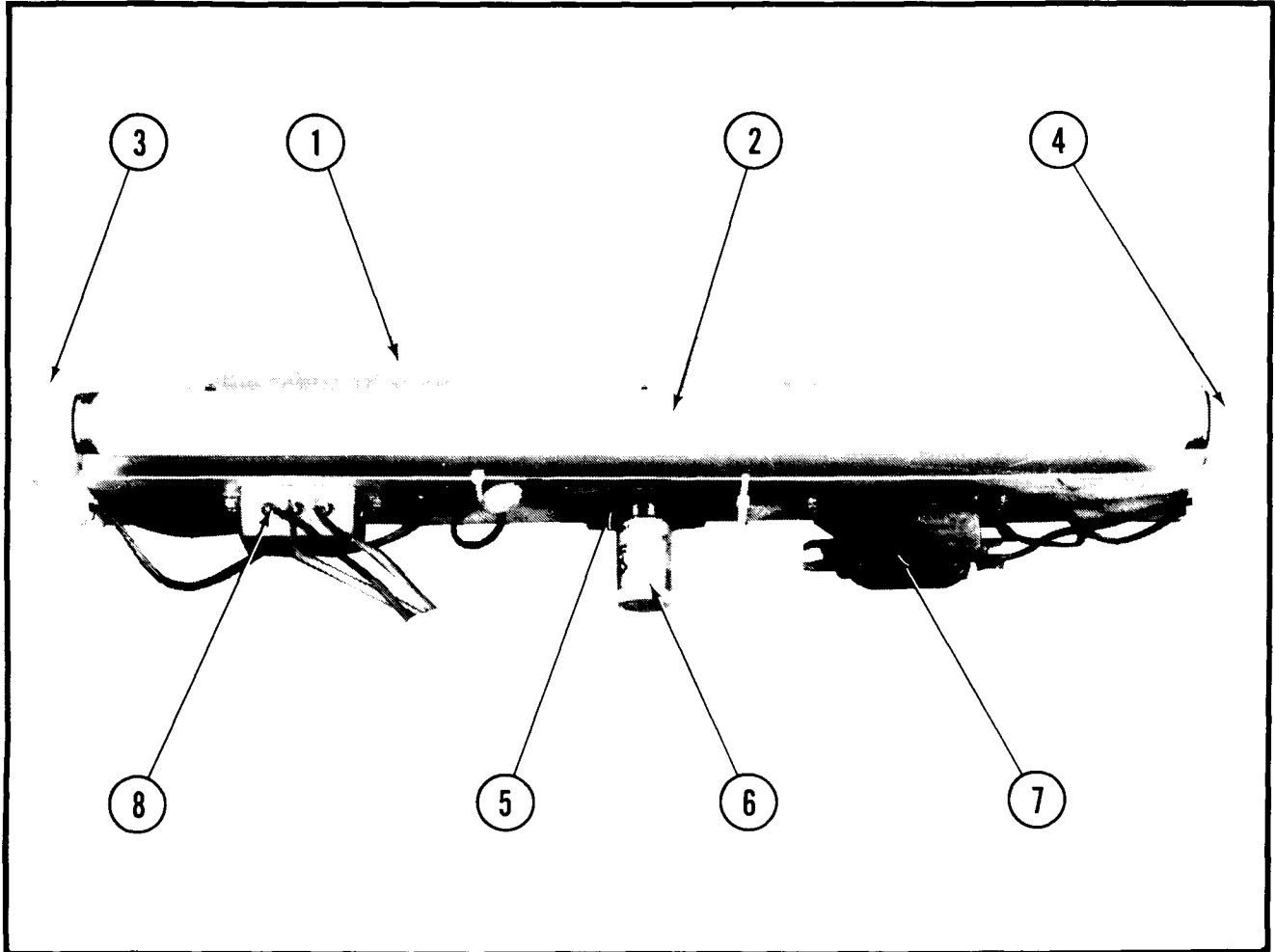
**FRONT DOOR ASSEMBLY — U.S.A. 25¢ — PARTS LIST**

*ORDER BY PART NUMBER ONLY*

<b>ITEM</b>	<b>PART NO.</b>	<b>DESCRIPTION</b>
1	0090-00002-04BK	DOUBLE ENTRY COIN DOOR FRAME
2	0017-00101-0121	#6-32 x 5/16 PHIL. TRS. HD. SCR. (3 REQ'D.)
3	A090-00073-02BK	DOUBLE ENTRY COIN DOOR W/DRESS PLATE
4	0017-00101-0123	#8 x 1/4 UNSLOT. HEX HD. SCREW (12 REQ'D.)
5	0017-00007-0019	KEY HOOK
6	0017-00103-0059	PUSH NUT (4 REQ'D.)
7	0090-00912-0000	COIN ENTRY PLATE — 25¢ (2 REQ'D.)
8	A097-00005-0000	DOOR LOCK & KEY W/SCREW & NUT (OR)
8	A097-00006-0000	DOOR LOCK & KEY W/SCREW, & NUT
9	0090-00128-00XF	DOOR TILT SWITCH BRKT.
10	0017-00005-0225	DOOR CAM
11	A090-00095-0000	DOOR TILT SWITCH
12	0090-00126-03XF	SWITCH BACK-UP PLATE
13	0017-00101-0525	#5-40 x 9/16" PHIL. HD. M.S. (2 REQ'D.)
	A090-00096-0000	DOOR TILT SWITCH & BRKT. ASSY. (ITEMS 9 & 11 THRU 13)
14	0090-00903-9500	25¢ WINDOW (2 REQ'D.)
15	0090-00143-00XF	COIN PLEX RETAINER
16	0017-00003-0219	12 VOLT LAMP — G.E. #194 (2 REQ'D.)
17	0017-00031-0048	WEDGE SOCKET W/BRKT. (2 REQ'D.)
18	A090-00100-0000	BRKT. ASSY.
19	0017-00103-0084	#6-32 HEX NUT W/SEMS (4 REQ'D.)
20	A090-00089-0000	COIN METER W/DIODE
21	0017-00101-0124	#6 x 1/4 UNSLOT. HEX HD. SCR. (4 REQ'D.)
25	0090-00911-0000	INSULATOR (2 REQ'D.)
26	A090-00112-0000	COIN CHUTE & TOP ASSY. (2 REQ'D.)
27	0010-00134-0000	SPRING
28	0010-00181-0000	SPRING
29	0017-00007-0083	1/8 x 1-5/8 ROLL PIN
30	0090-00129-00XF	PIVOT POST
31	0090-00167-00XF	PIVOT LEVER
32	0090-00182-00XF	REJECT LEVER
33	0017-00100-0018	E-RING
	A090-00088-0000	REJECT LEVER ASSY. (2 REQ'D.) (ITEMS 30 THRU 33)
34	A090-00105-0000	COIN ACCEPTOR FRAME ASSY. (2 REQ'D.)
35	0017-00005-0003	COIN ACCEPTOR W/STRING CUTTER (2 REQ'D.) (OR)
35	0017-00005-0211	COIN ACCEPTOR W/ANTI STRING DEVICE (2 REQ'D.) (OR)
35	0017-00005-0214	COIN ACCEPTOR W/STRING CUTTER (2 REQ'D.)
36	A090-00064-0000	ANTI-PENNY DEVICE
37	0017-00101-0099	#6 x 1/4 SLT. HEX HD. M.S. (2 REQ'D.)
38	0090-00162-00XF	COIN SWITCH MTG. BRKT.
39	0017-00005-0203	COIN SWITCH CHUTE
40	0017-00005-0195	COIN SWITCH
41	0010-00599-0000	COIN SWITCH WIRE
42	0017-00007-0015	PUSH-ON RING
	A090-00059-0400	COIN SWITCH & WIRE ASSY. (ITEMS 40 THRU 42)
43	0017-00101-0147	#4-40 x 3/4 PHIL. PAN. HD. M.S. (2 REQ'D.)
	A090-00077-0000	COIN GUIDE & SWITCH ASSY. (ITEMS 38 THRU 43)



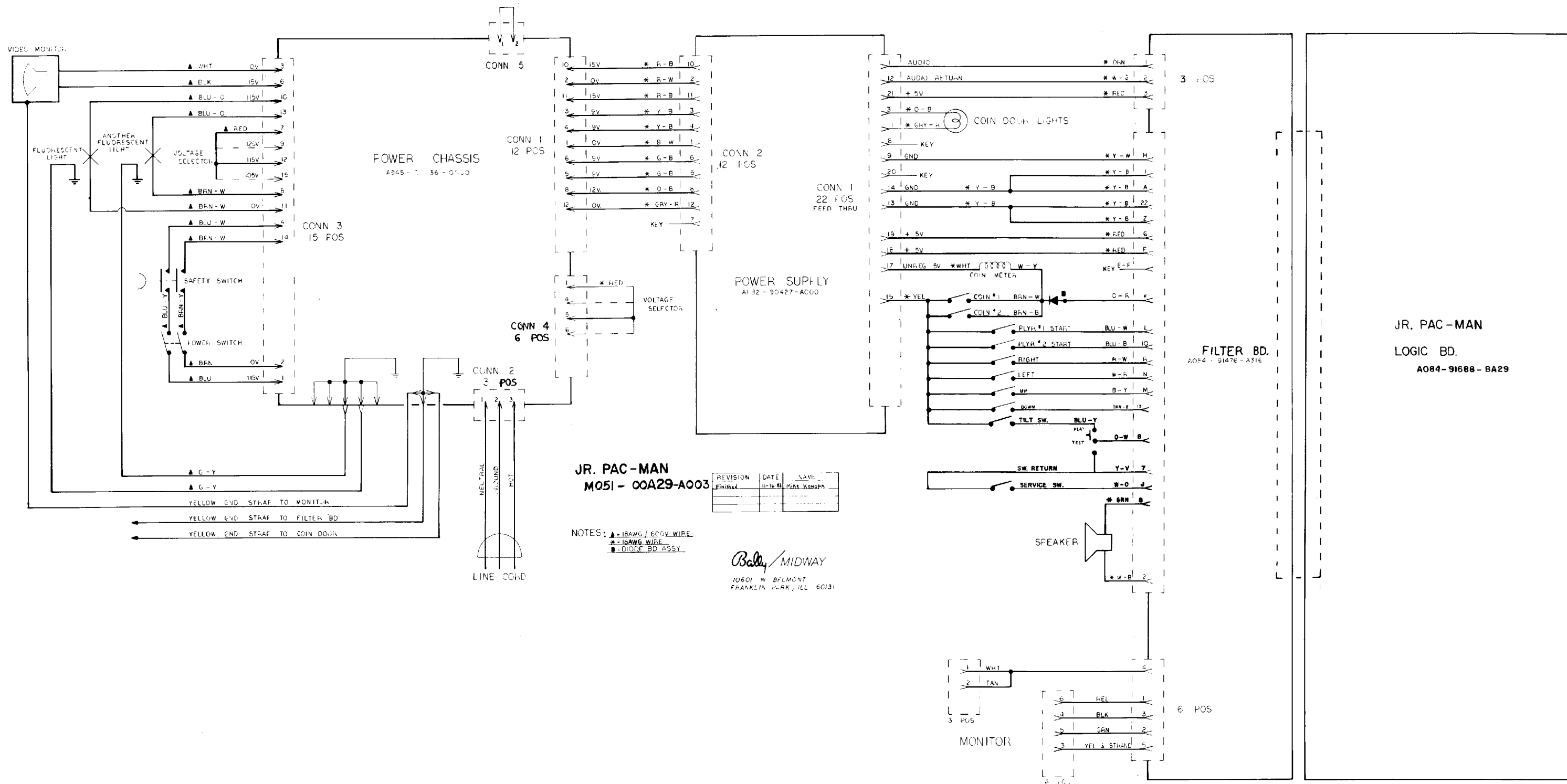
**NO. 0A29 - JR. PAC-MAN - HEADER FLUORSECENT LIGHT ASSY.**

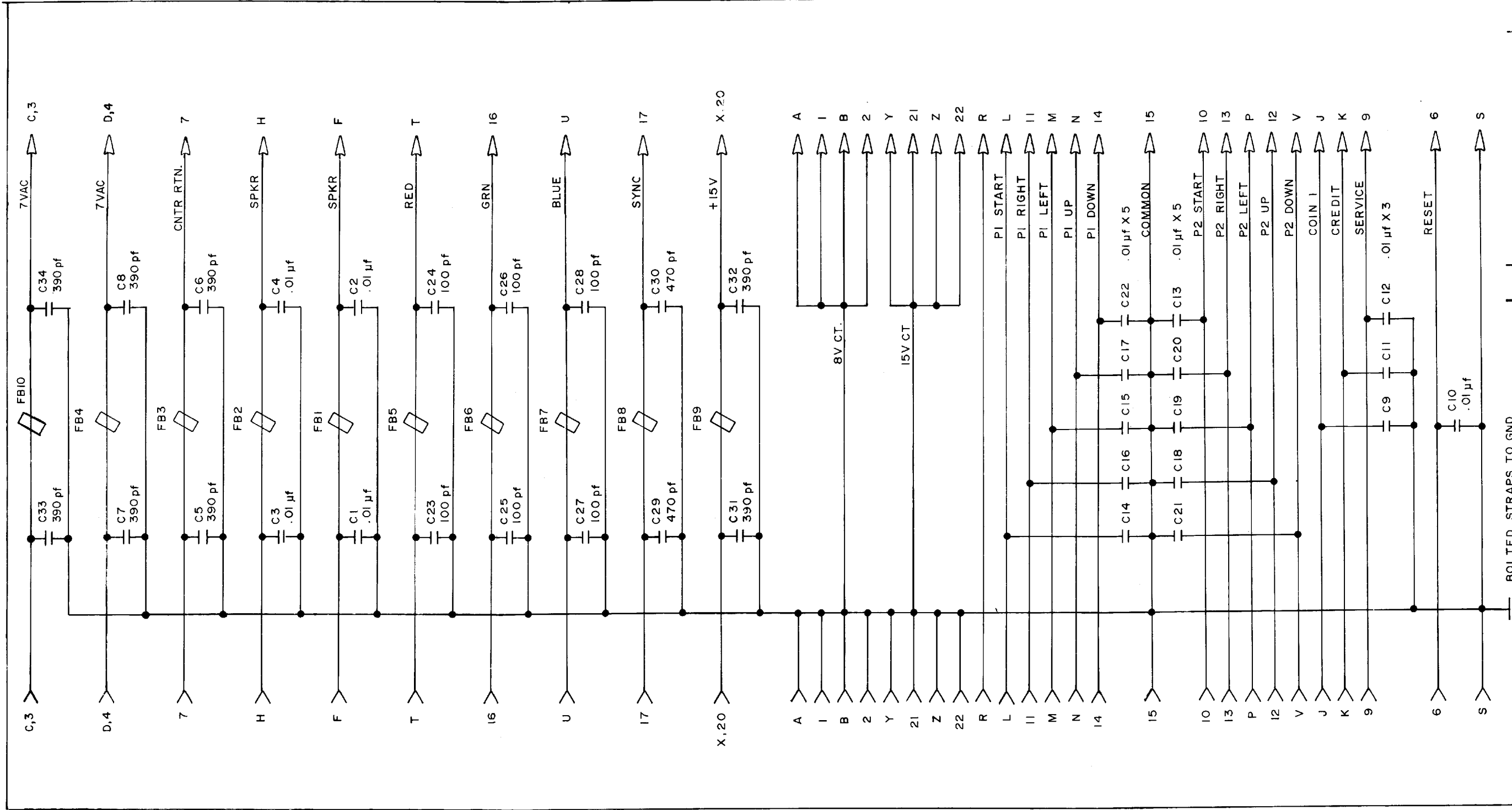


**NO. 0A29 - JR. PAC-MAN - HEADER FLUORSECENT LIGHT ASSY. - PARTS LIST**

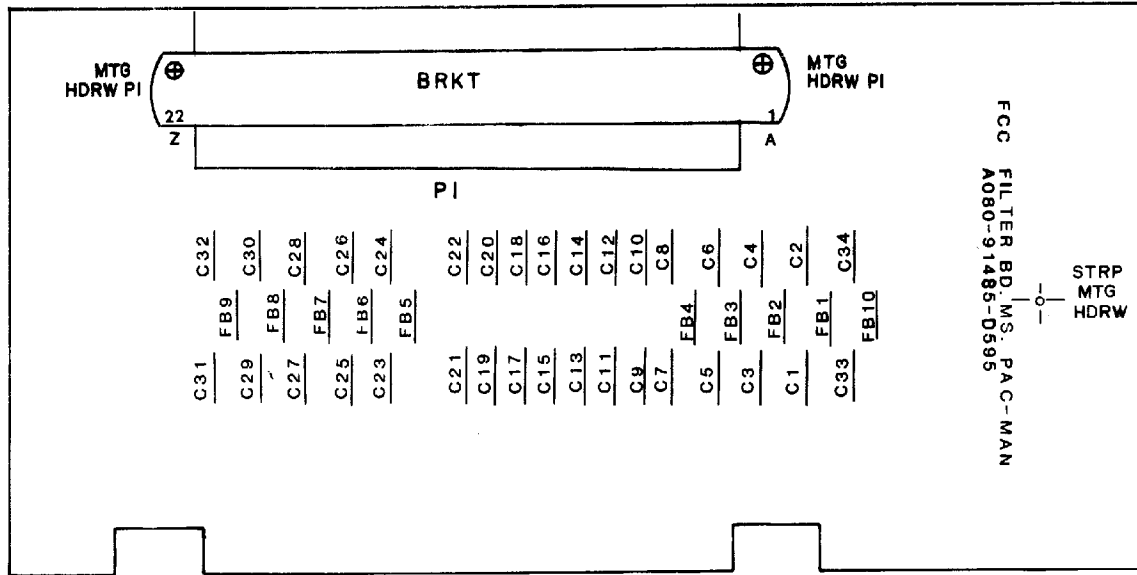
*ORDER BY PART NUMBER ONLY*

ITEM	PART NO.	DESCRIPTION
1	0353-00113-0000	FLUORESCENT BRKT.
2	0017-00003-0043	18" COOL WHITE FLUORESCENT LAMP
3	0017-00003-0445	LAMP LOCKS (2 REQ'D.)
4	0017-00031-0036	FLUORESCENT SOCKET (2 REQ'D.)
5	0017-00003-0412	FLUORESCENT STARTER HOLDER W/LEADS
	0017-00101-0573	#6-32 x 1/2 PHIL. RND. HD. M.S. (4 REQ'D.)
	0017-00104-0009	#6 EXT. WASHER (4 REQ'D.)
6	0017-00003-0019	FLUORESCENT STARTER
7	0017-00003-0026	BALLAST
	0017-00101-0598	#8-32 x 5/16 SLT. HEX HD. SCR. (4 REQ'D.)
8	A961-00042-0000	LINE FILTER ASSY.





PROJECT ENG: J. SZERSZEN		USED ON: JR. PACMAN		REVISIONS	
DO NOT SCALE DWG.		SCALE: FULL	NO RECD: 1 PER	MIDWAY MFG. CO. FRANKLIN, PA.	
DIM TOLERANCES UNLESS SPECIFIED:		FCC FILTER BD, MS. PACMAN SCHEMATIC DWG.		PART NO: M051 - 00595 - D017	
DRW: <i>JB</i>	DATE: 12/08/83	A084-91485-D595		MIDWAY MFG. CO.	
CHK: <i>JK</i>				FRANKLIN, PA.	
APPROVAL: <i>JK</i>				MIDWAY MFG. CO.	
DATE: 12/08/83				FRANKLIN, PA.	



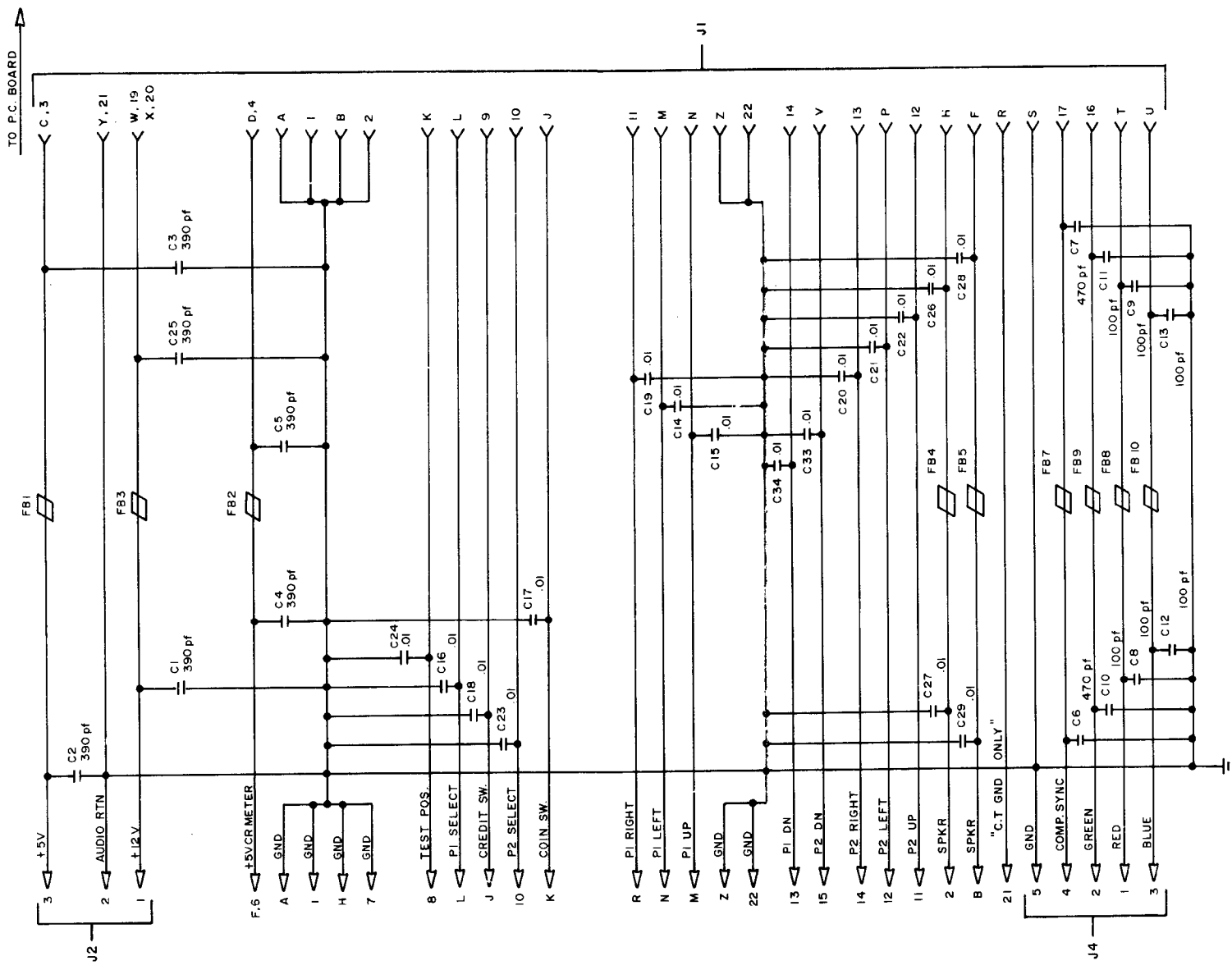
**DESIGNATION LIST**

**CROSS REFERENCE LIST**

DESIGNATION	DESCRIPTION	DESCRIPTION	QTY	DESIGNATION	PART NO.
C1 - C4	.01 $\mu$ f 25V AX.CER.	100 pf 50V AX.CER.	6	C23 - C28	0789 - 00800 - 1800
C5 - C8	390 pf 50V " "	390 pf 50V " "	8	C5 - C8, C31 - C34	0316 - 00800 - 0002
C9 - C22	.01 $\mu$ f 25V " "	470 pf 50V " "	2	C29, C30	0932 - 00813 - 0100
C23 - C28	100 pf 50V " "	.01 $\mu$ f 25V " "	18	C1 - C4, C9 - C22,	0A29 - 00800 - 0003
C29, C30	470 pf 50V " "	FERRITE BEAD W/LEAD	10	FB1 - FB10	0316 - 00804 - 0002
C31 - C34	390 pf 50V " "	22 PIN EDGE CONN.	1	PI	0017 - 00021 - 0418
FB1 - FB10	FERRITE BEAD W/LEAD	P.C. EDGE CONN KEY	2	"	0017 - 00021 - 0396
PI	22 PIN EDGE CONN.	8 - 32 X 5 SLT PAN	1	STRAP MTG HDRW	0017 - 00101 - 0595
"	P.C. EDGE CONN KEY	8 - 32 HEX NUT	1	" " "	0017 - 00103 - 0008
STRAP MTG HDRW	8 - 32 X 5 SLT PAN	6 - 32 X 10 PHL PAN	2	MTG HDRW PI	0017 - 00101 - 0763
" " "	8 - 32 HEX NUT	6 145 - .250 - 032	2	" " "	0017 - 00104 - 0002
MTG HDRW PI	6 - 32 X 10 PHL PAN	SPLT WSHR	1	BRKT	0866 - 00118 - 00XF
" " "	6 145 - .250 - 032 SPLT WSHR	BRACKET	1		A080 - 91485 - D595
BRKT	BRACKET FOR CONN.	FCC FILTER BD	1		
A080 - 91485 - D595	FCC FILTER BD				

REVISIONS

PROJECT ENG. J. SZERSZEN		USED ON JR. PACMAN		MIDWAY MFG. CO. FRANKLIN PK. ILL.	
DO NOT SCALE DWG.		HEAT TREAT	SCALE FULL		
DIM. TOLERANCES UNLESS SPECIFIED		DRN. <i>TBD</i>	MAT'L.	FCC FILTER BD, MS. PACMAN ASSY DWG. A084 - 91485 - D595	
CONCENTRICITY TYP .001		CRD.	FINISH		
FRACTIONAL 1/64		DATE 12/12/83			
DECIMAL .005					
HOLE DIA + .002 .000				PART NO. M051 - 00595 - D016	



NOTE:  
 ALL .01 CAPS ARE MF.  
 ALL CAPS AX. CER. UNLESS  
 NOTED OTHERWISE.  
 FB = FERRITE BEAD

TO CABLE

TO P.C. BOARD

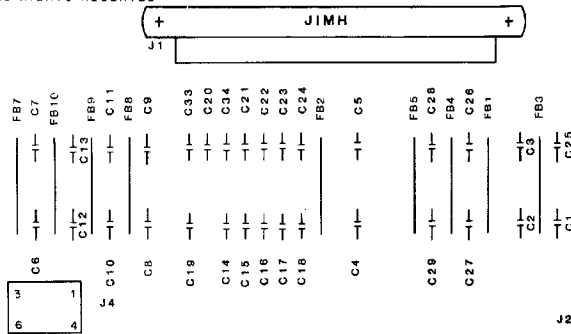
PROJECT ENG: J. SZERSZEN		USED ON JR. PACMAN		REVISIONS	
DO NOT SCALE DRAWING		HEAT TREAT	SCALE FULL	NO. REQ'D 1 PER	
DIM TOLERANCES UNLESS OTHERWISE SPECIFIED		DRAWN TB8	SHEMATIC DWG		PART NO MO51 - 00A29 - A012
DATE 11/02/83		FINISH	JR. PACMAN INTERFACE FILTER PC A084 - 91689 - AA29		
MIDWAY MFG. CO. FRANKLIN, PA.			FRANKLIN, PA.		

DESIGNATION LIST

DESIGNATION NO.	DESCRIPTION
C1-C5	390 PF 50V AX CER
C6,C7	470 PF 50V AX CER
C8-C13	100 PF 50V AX CER
C14-C24	.01 UF 50V AX CER
C25	390 PF 50V AX CER
C26-C29	.01 UF 50V AX CER
C33,C34	.01 UF 50V AX CER
FB1-FB5,FB7-FB10	FERRITE BEAD
J1	P.C. EDGE CONN.
J2	3 PIN HEADER
J4	6 PIN HEADER
J1 MH	(2) P.C. EDGE CONN. KEY (2) 6-32x10 SLOT PAN SCREW (2) WSH. 6 145-.250-.032 (1) BRKT-CONN FIN (1) INSULATED GND STRAP (1) 8-32x5 SLOT PAN SCREW (1) 8-32 NUT HEX
A080-91689-AA29	INTERFACE FILTER P.C. JR PAC-MAN

© 1983 BALLY MIDWAY MFG CO  
ALL RIGHTS RESERVED

JR. PAC INTERFACE FILTER P.C.

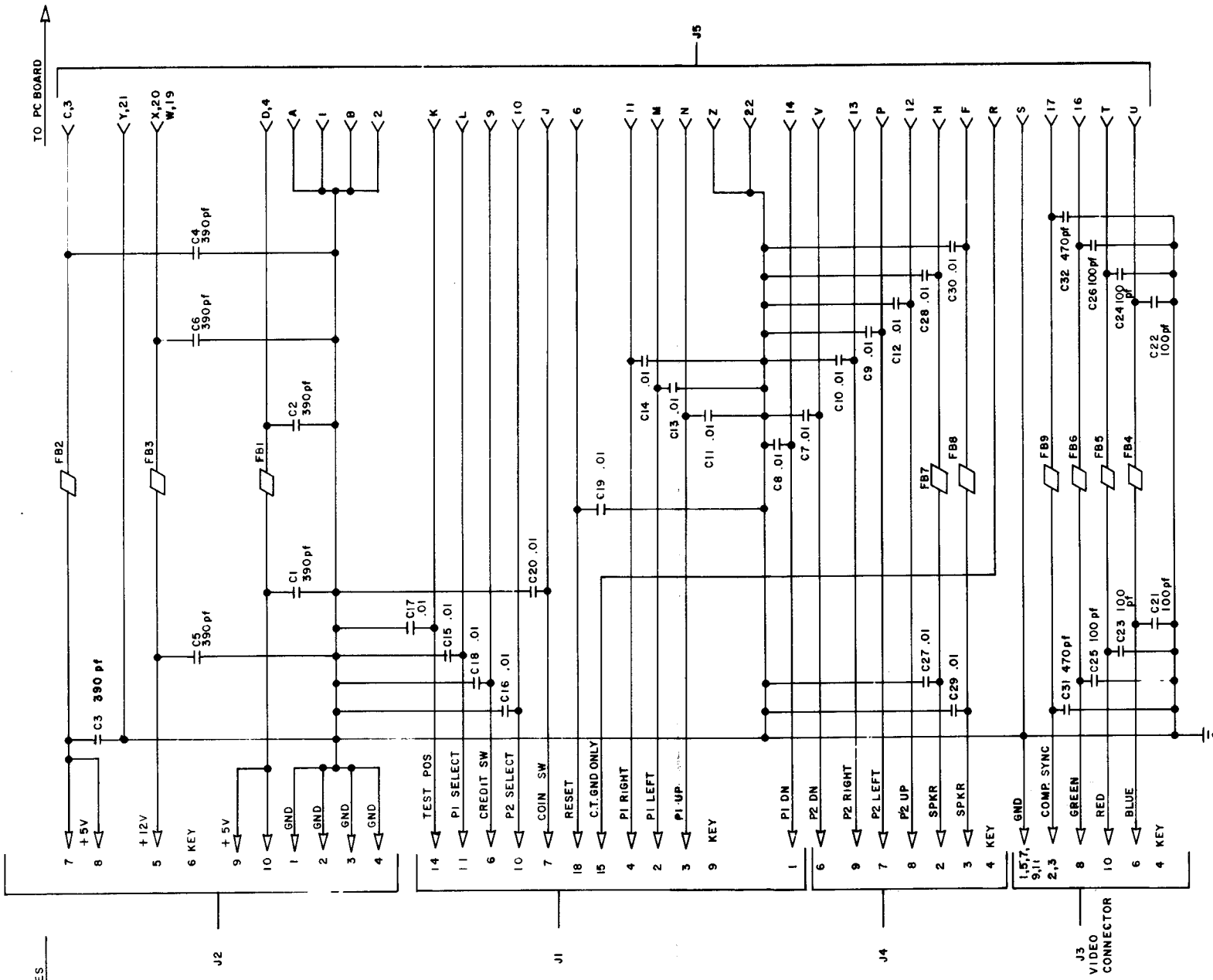


CROSS REFERENCE LIST

DESCRIPTION	QTY	DESIGNATION NO.	PART NOS.
100 PF 50V AX CER	6	C8-C13	0789-00800-1800
390 PF 50V AX CER	6	C1-C5,C25	0316-00800-0002
470 PF 50V AX CER	2	C6,C7	0550-00800-0200
.01 UF 50V AX CER	17	C14-C24,C26-C29,C33,C34	0A29-00800-0003
FERRITE BEAD	9	FB1-FB5,FB7-FB10	0316-00804-0002
P.C. EDGE CONN	1	J1	0017-00021-0418
3 PIN HEADER	1	J2	0017-00021-0443
6 PIN HEADER	1	J4	0017-00021-0424
P.C. EDGE CONN. KEY	2	J1 MH	0017-00021-0396
6-32x10 SLOT PAN SCREW	2	J1 MH	0017-00101-0763
WSH. 6 145-.250-.032	2	J1 MH	0017-00104-0002
BRKT-CONN FIN	1		0866-00118-00XF
INSULATED GND STRAP	1		3000-17143-0700
8-32x5 SLOT PAN SCREW	1		0017-00101-0595
8-32 NUT HEX	1		0017-00103-0008
INTERFACE FILTER P.C. JR. PAC-MAN			A080-91689-AA29

REVISIONS

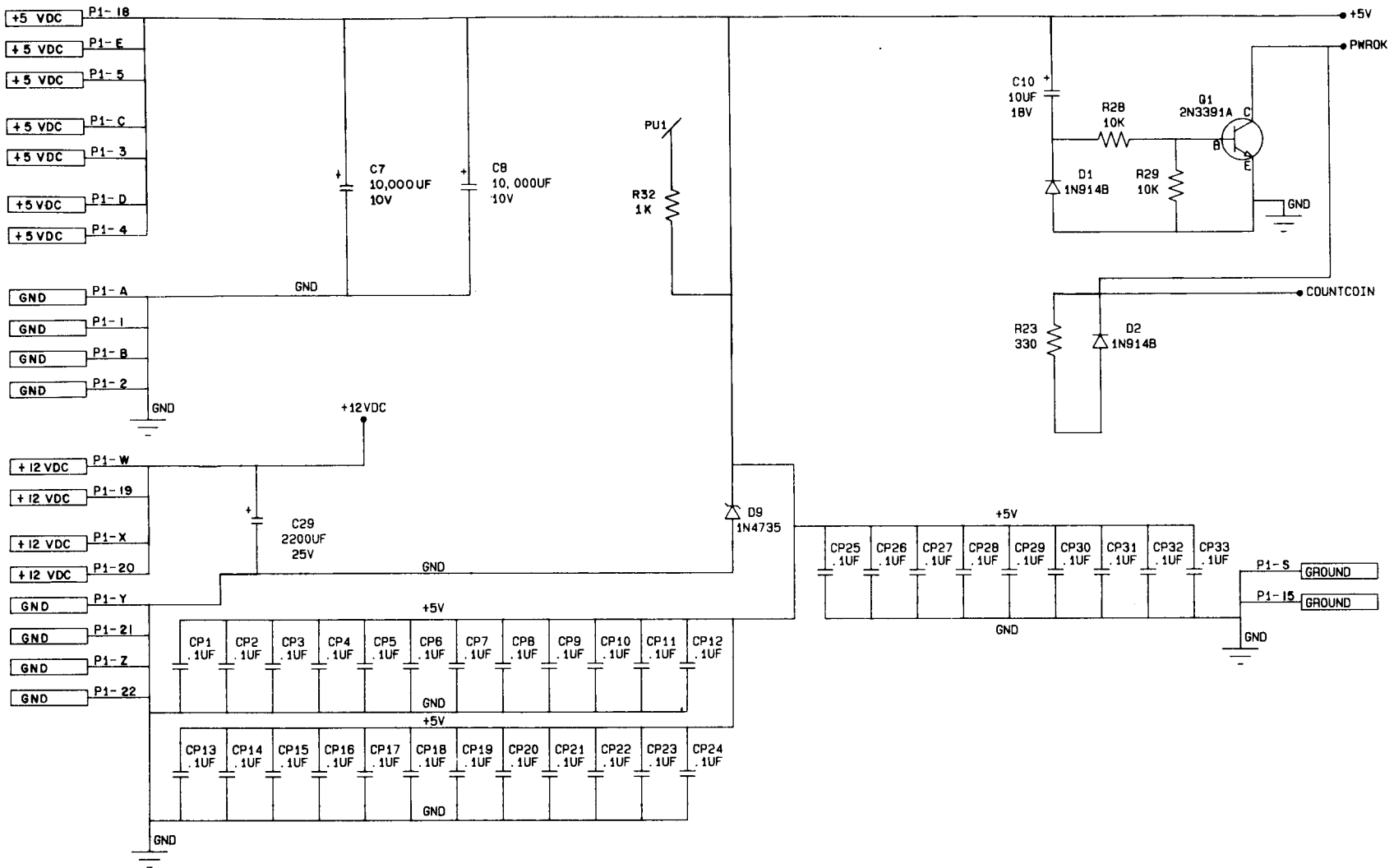
PROJECT ENG: J. SZERSZEN		USED ON JR PACMAN		Bally / MIDWAY MFG. CO. FRANKLIN PK ILL	
DO NOT SCALE DWG		HEAT TREAT	SCALE FULL	NO. REQ'D 1 PER	
DIM TOLERANCE - UNLESS OTHERWISE SPECIFIED	DRW TBZ	MAT'L	JR PAC INTERFACE FILTER P.C.		PART NO.
DATE 12/12/83	CHKD	FINISH	ASSEMBLY DWG		M051 - 00A29 - A011
			A080-91689-AA29		



NOTE:  
 ALL .01 CAPS ARE MF.  
 ALL CAPS AX.CER UNLESS  
 NOTED OTHERWISE  
 FB= FERRITE BEAD

PROJECT ENG: J. SZERSZEN		USED ON JR. PACMAN	
DO NOT SCALE DWG		HEAT TREAT	SCALE FULL
DIM TOLERANCES UNLESS SPECIFIED		NO. REQ'D 1 PER	
DRW. BAK	DATE 12/14/83	JR. PACMAN (SP) INTERFACE FILTER SCHEMATIC DWG.	
CND.		A080 - 91698 - CA29	
MIDWAY MFG. CO. FRANKLIN, PA.		PART NO. M051 - 00A29 - CC18	

REVISIONS	

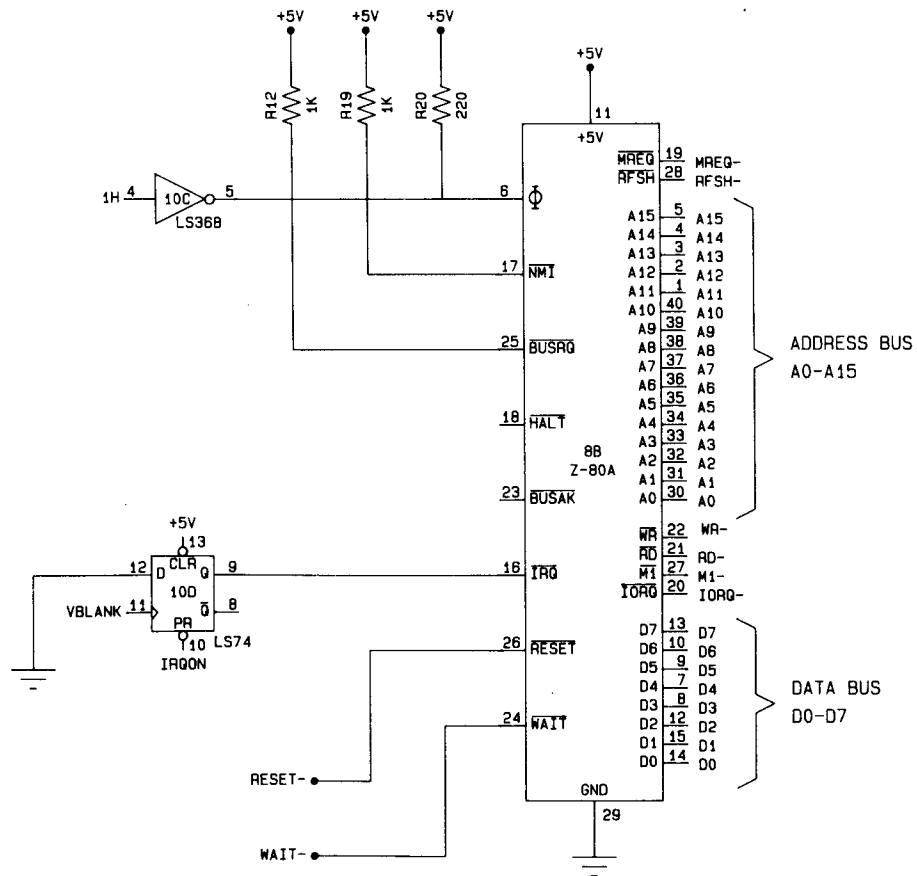


THIS DWG IS CONFIDENTIAL & PROPERTY OF BALLY/MIDWAY MFG. CO.

SHEET 1 OF 22

<b>DIM. TOLERANCES</b> UNLESS OTHERWISE SPEC. CONCENTRICITY T.I.R. .002 FRACTIONAL ± 1/64 DECIMAL ± .005 HOLE DIA. +.002 - .000 ANGLE ± 1/2° <b>DO NOT SCALE DWG.</b>	FIRST USED ON: <b>JR. PACMAN</b> DRN: <b>TBB</b>	DATE: <b>12/08/83</b>	SCALE: <b>FULL</b>	<i>Bally</i> / <b>MIDWAY MFG. CO.</b> FRANKLIN PARK, IL 60131 <b>JR. PACMAN (CONVERSION)</b> <b>LOGIC P.C.</b> <b>A080-91688-CA29</b>	<b>POWER / GROUND</b>	
	MECH. CHG. _____ MAT. _____				<b>REVISIONS</b>	
	ELEC. CHK. _____ FINISH _____				PART NO: <b>M-0-5-1-0-0-A-2-9-C-0-1-0</b>	





THIS DWG IS CONFIDENTIAL & PROPERTY OF BALLY/MIDWAY MFG CO

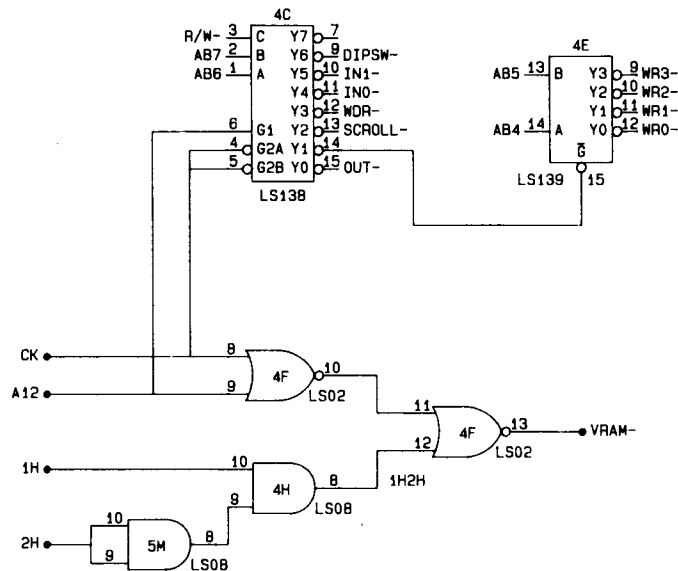
SHEET 2 OF 22

<b>DIM. TOLERANCES</b> UNLESS OTHERWISE SPEC. CONCENTRICITY T.I.R. .002 FRACTIONAL ± 1/64 DECIMAL ± .005 HOLE DIA +.002 - .000 ANGLE ± 1/2° <b>DO NOT SCALE DWG.</b>	FIRST USED ON <b>JR. PACMAN</b>		
	DRN <b>788</b>	DATE <b>12/08/83</b>	SCALE <b>FULL</b>
	MECH CHK	MATL	
	ELEC CHK	FINISH	

*Bally*/MIDWAY MFG. CO.  
FRANKLIN PARK, IL 60131

JR. PACMAN (CONVERSION)  
LOGIC P.C.  
A080-91688-CA29

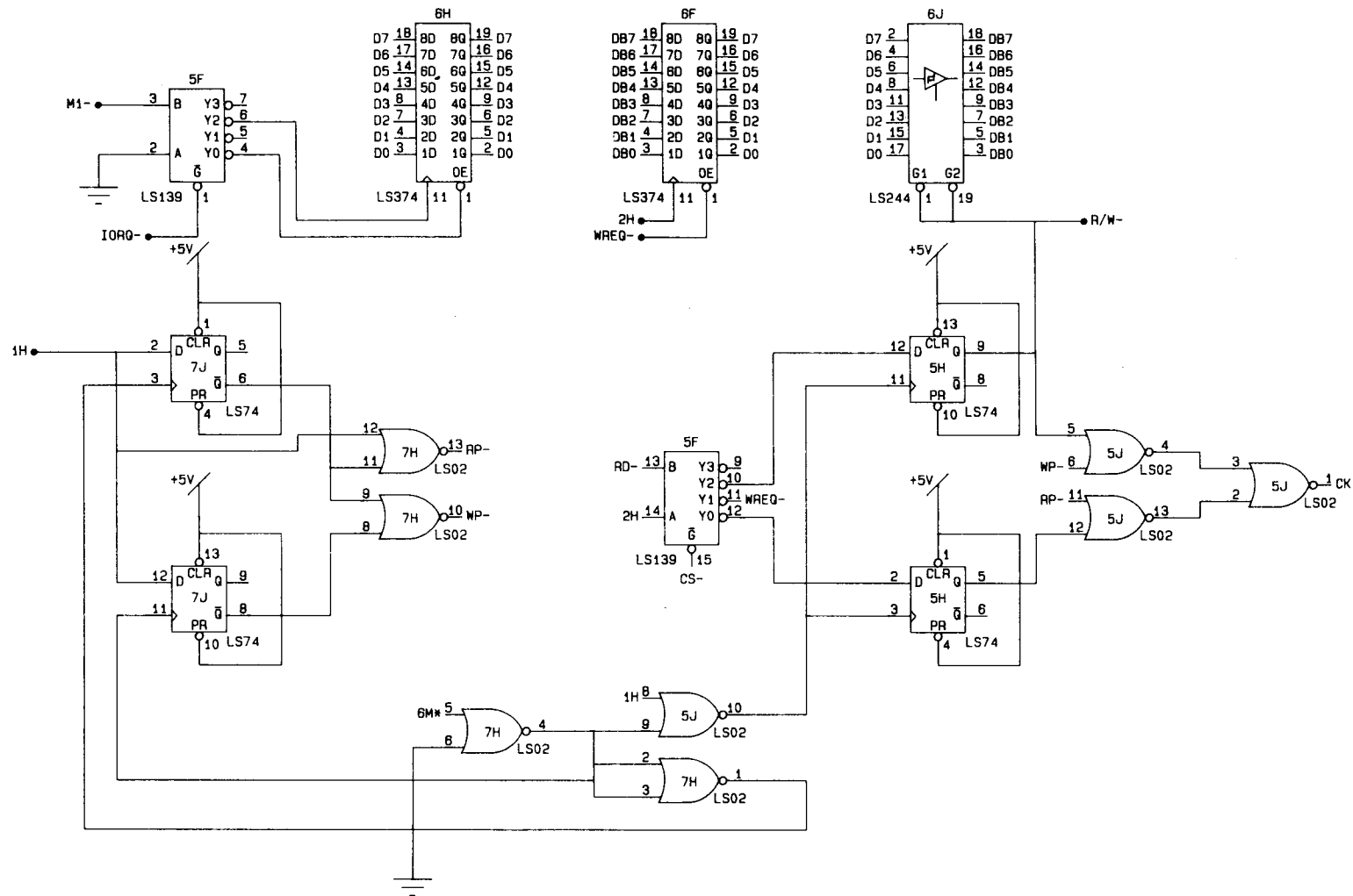
<b>CPU</b>	
<b>REVISIONS</b>	
PART NO	M-0-5-1-0-0-A-2-9-C-0-1-0



THIS DWG. IS CONFIDENTIAL & PROPERTY OF BALLY/MIDWAY MFG. CO.

SHEET 3 OF 22

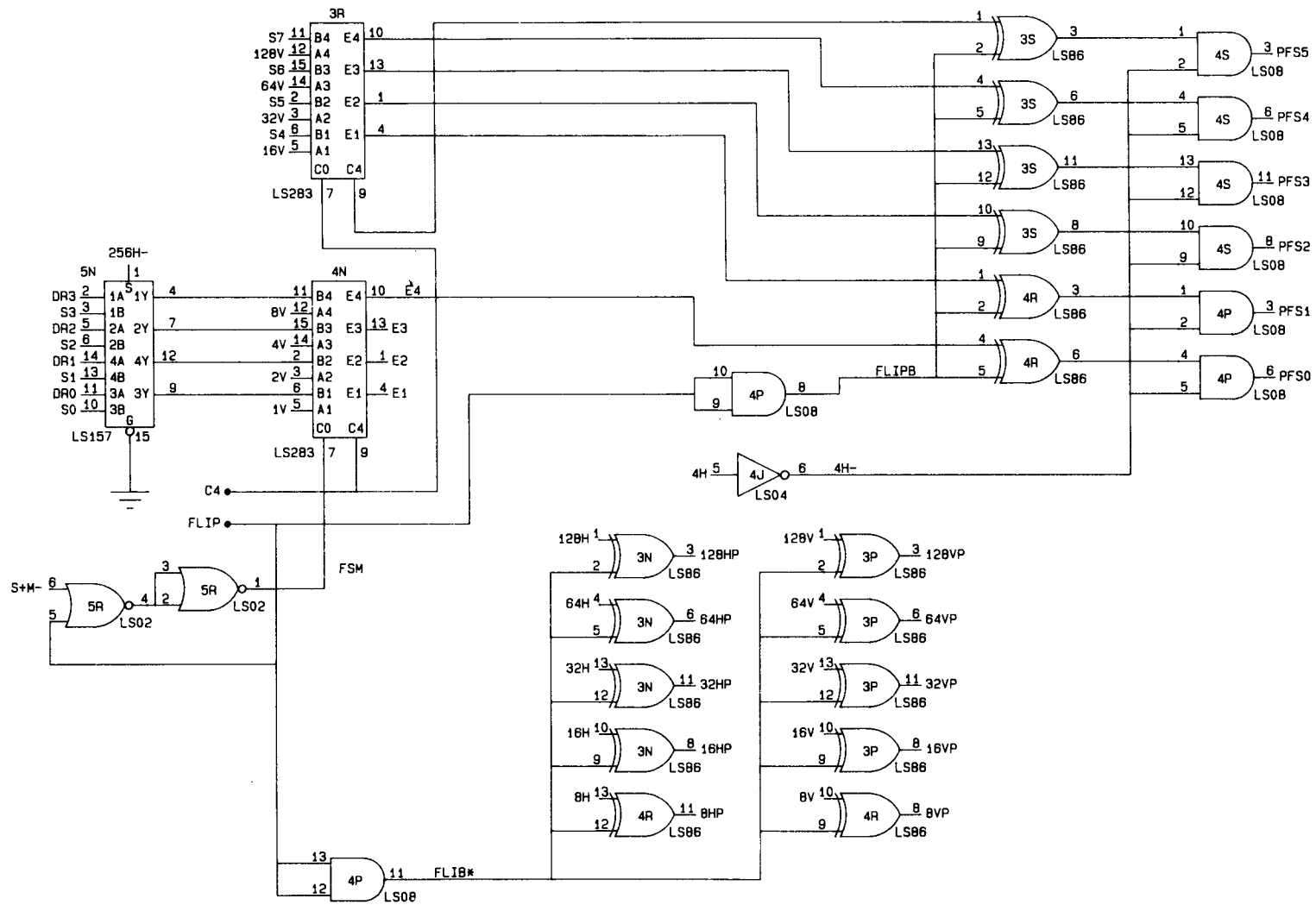
<b>DIM. TOLERANCES</b> UNLESS OTHERWISE SPEC. CONCENTRICITY T.I.R. .002 FRACTIONAL ± 1/64 DECIMAL ± .005 HOLE DIA. +.002- .000 ANGLE ± 1/2° <b>DO NOT SCALE DWG.</b>	FIRST USED ON <b>JR. PACMAN</b> DWN <b>TBB</b> DATE <b>12/08/83</b> SCALE <b>FULL</b>	<i>Bally</i> / <b>MIDWAY MFG. CO.</b> FRANKLIN PARK, IL 60131 <b>JR. PACMAN (CONVERSION)</b> <b>LOGIC P.C.</b> <b>A080-91688-CA29</b>	ADDRESS DECODE
	MECH. CHK _____ MAT. _____ ELEC. CHK _____ FINISH _____		REVISIONS
	PART NO. <b>M-0-5-1-0-0-A-2-9-C-0-1-0</b>		



THIS DWG IS CONFIDENTIAL - PROPERTY OF BALLY/MIDWAY MFG CO.

SHEET 4 OF 22

<b>DIM. TOLERANCES</b> UNLESS OTHERWISE SPEC CONCENTRICITY T.I.R. 002 FRACTIONAL ± 1/64 DECIMAL ± 005 HOLE DIA. +002-000 ANGLE ± 1/2° <b>DO NOT SCALE DWG.</b>	FIRST USED ON <b>JR. PACMAN</b>	DATE <b>12/08/83</b>	SCALE <b>FULL</b>	<i>Bally</i> /MIDWAY MFG. CO. FRANKLIN PARK, IL 60131	<b>SYNC BUS CONTROLLER</b>
	MECH. CHK <b>TBB</b>	MAT'L	ELEC. CHK		FINISH
<b>JR. PACMAN (CONVERSION)</b> <b>LOGIC P.C.</b> <b>A080-91688-CA29</b>				PART NO <b>M.O.5.1-0.0.A.2.9-C.0.1.0</b>	



THIS DWG IS CONFIDENTIAL & PROPERTY OF BALLY/MIDWAY MFG CO

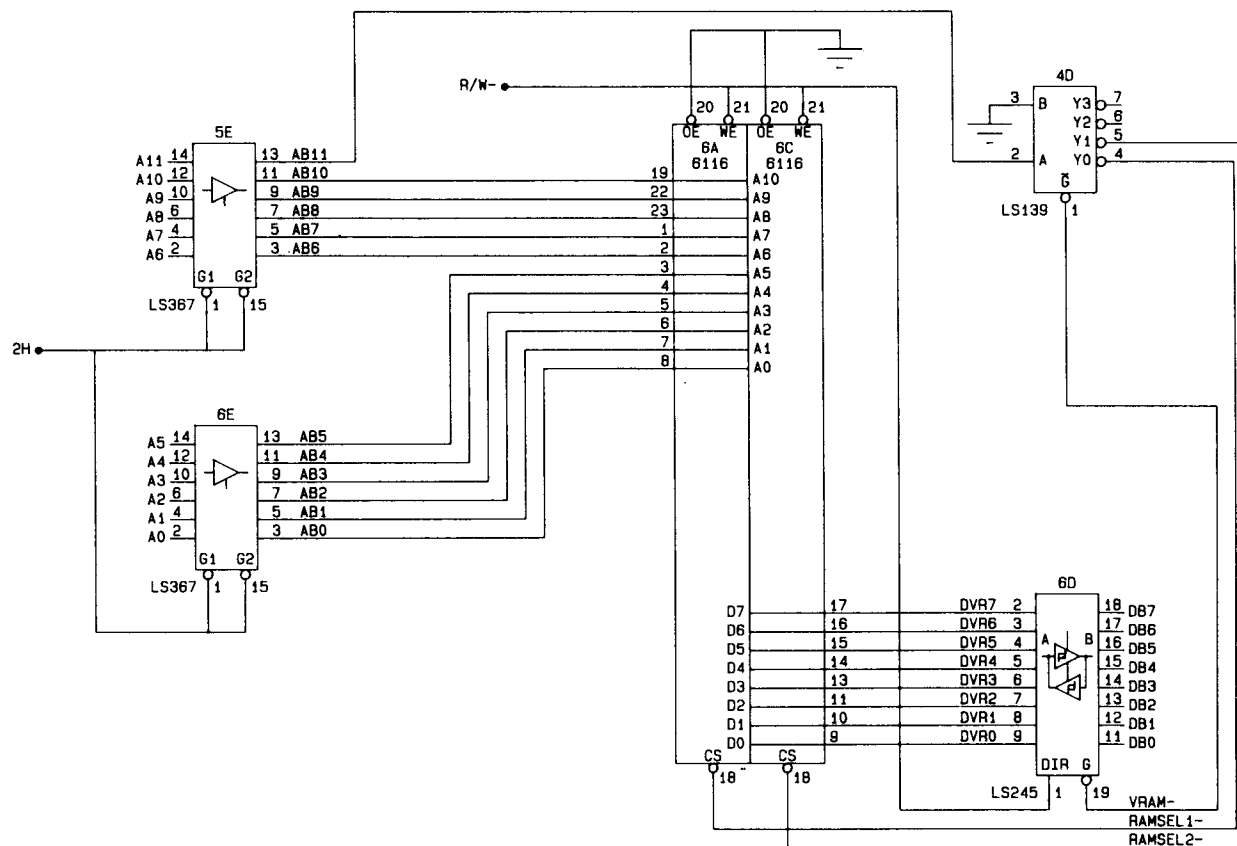
SHEET 5 OF 22

<b>DIM. TOLERANCES</b> UNLESS OTHERWISE SPEC CONCENTRICITY T I R .002 FRACTIONAL ± 1/64 DECIMAL ± .005 HOLE DIA +.002 - .000 ANGLE ± 1/2° <b>DO NOT SCALE DWG.</b>	FIRST USED ON <b>JR. PACMAN</b> DRN <b>TEB</b> DATE <b>12/08/83</b> SCALE <b>FULL</b>	<b>Bally/MIDWAY MFG. CO.</b> FRANKLIN PARK, IL 60131 <b>JR. PACMAN (CONVERSION)</b> <b>LOGIC P.C.</b> <b>A080-91688-CA29</b>
	MECH CKR _____ MATL _____	
	ELEC CKR _____ FINISH _____	

SCROLLING / VIDEO

REVISIONS

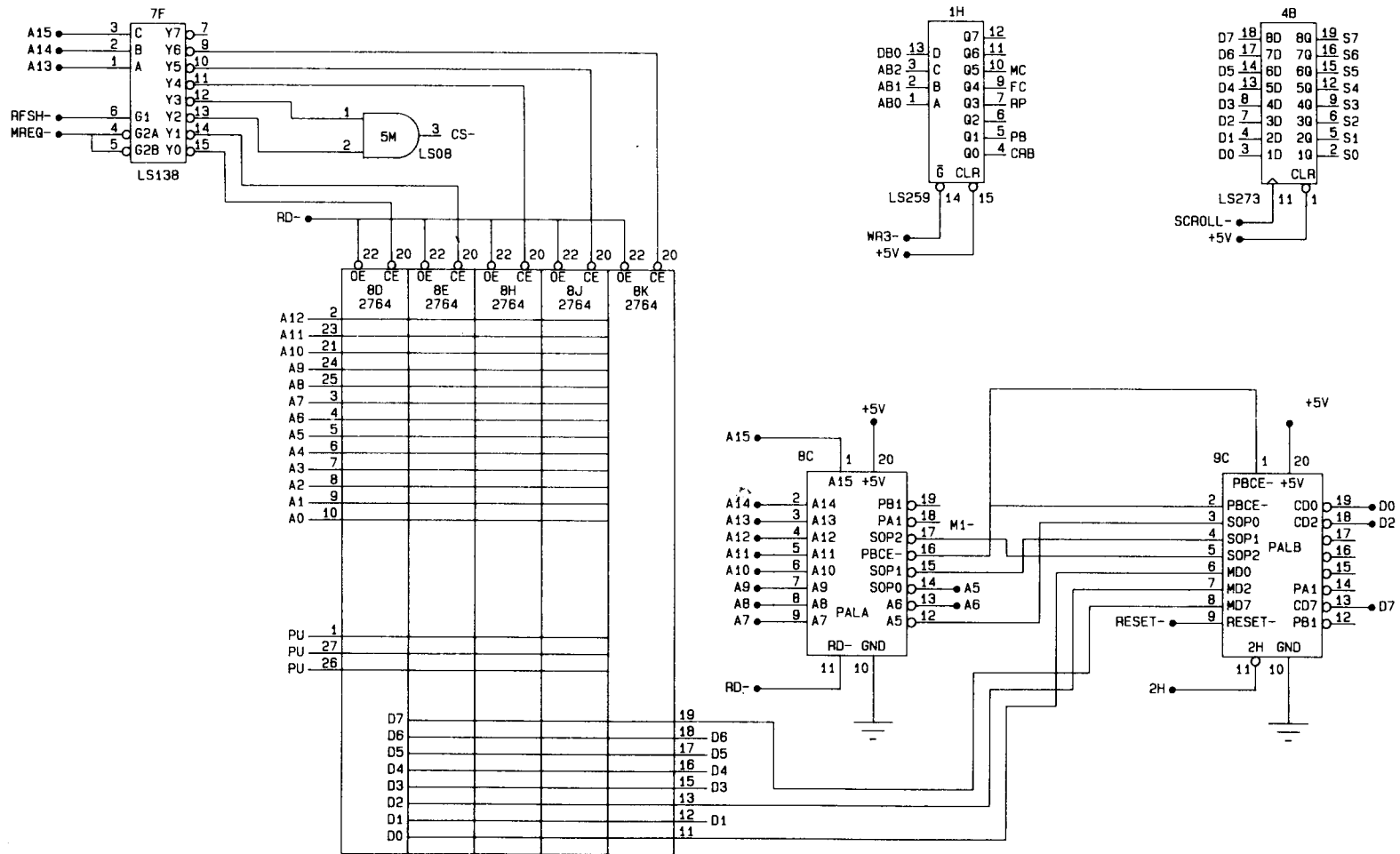
PART NO  
M0051-00A-29-C010



THIS DWG IS CONFIDENTIAL & PROPERTY OF BALLY/MIDWAY MFG CO

SHEET 6 OF 22

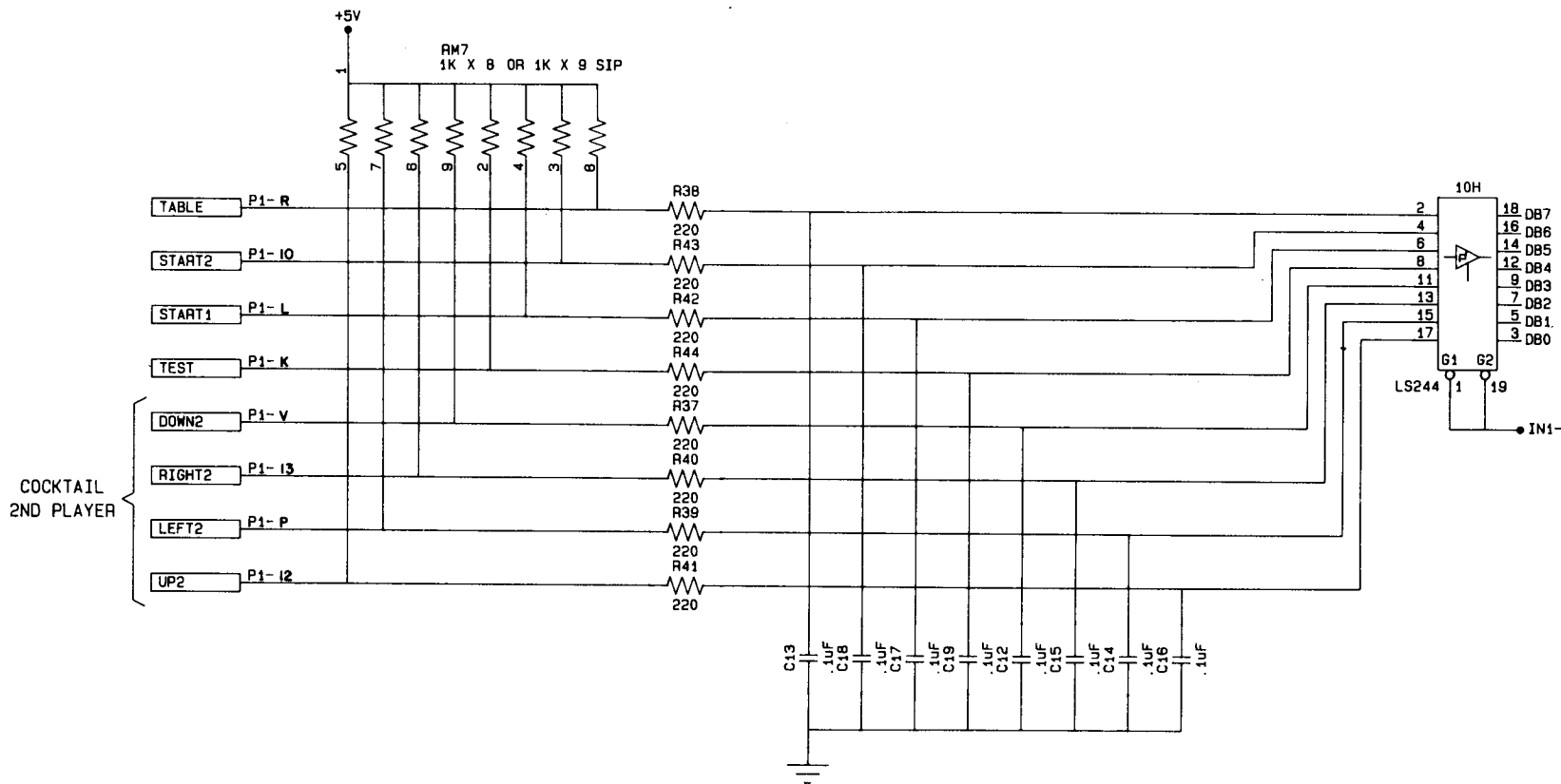
<b>DIM. TOLERANCES</b> UNLESS OTHERWISE SPEC. CONCENTRICITY T.I.R. .002 FRACTIONAL ± 1/64 DECIMAL ± .005 HOLE DIA. +.002-.000 ANGLE ± 1/2° <b>DO NOT SCALE DWG.</b>	FIRST USED ON	JR. PACMAN		SCALE	FULL	<i>Bally/MIDWAY</i> MFG. CO. FRANKLIN PARK, IL 60131	RAM
	DRN	TBB	DATE				12/08/83
	MECH CHK		MAT'L		PART NO		M-0-5-1-0-0-A-2-9-C-0-1-0
	ELEC CHK		FINISH				
JR. PACMAN (CONVERSION) LOGIC P.C. A080-91688-CA29							



THIS DWG IS CONFIDENTIAL & PROPERTY OF BALLY/MIDWAY MFG CO

SHEET 7 OF 22

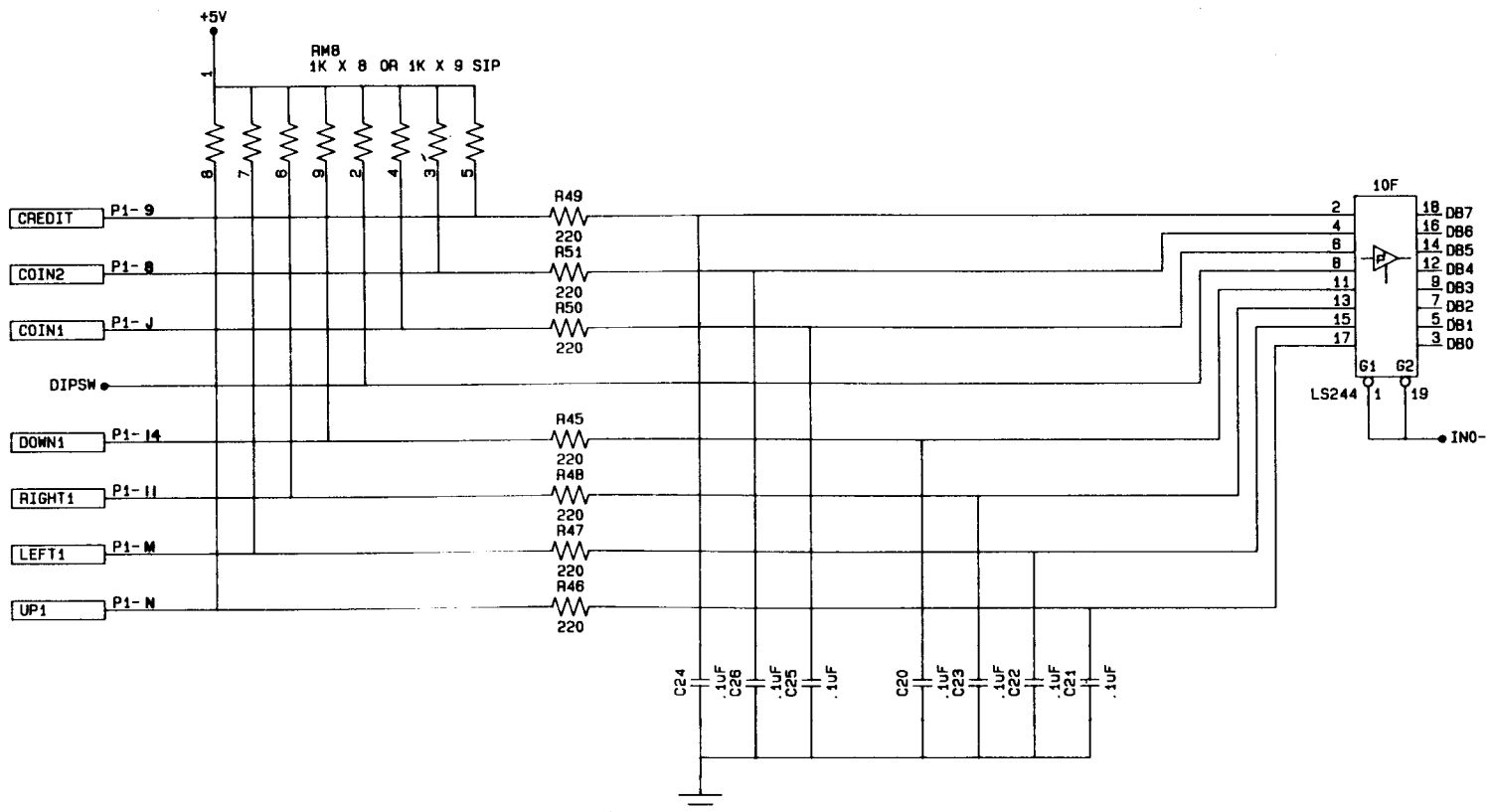
<b>DIM. TOLERANCES</b> UNLESS OTHERWISE SPEC. CONCENTRICITY T I R .002 FRACTIONAL ± 1/64 DECIMAL ± .005 HOLE DIA + .002 - .000 ANGLE ± 1/2° <b>DO NOT SCALE DWG.</b>	FIRST USED ON <b>JR. PACMAN</b> DRN <b>TBB</b> DATE <b>12/08/83</b> SCALE <b>FULL</b>	<b>Bally/MIDWAY MFG. CO.</b> FRANKLIN PARK, IL 60131 <b>JR. PACMAN (CONVERSION)</b> <b>LOGIC P.C.</b> <b>A080-91688-CA29</b>	<b>ROM</b>
	MECH. CHK _____ MAT'L _____ ELEC. CHK _____ FINISH _____		<b>REVISIONS</b> PART NO <b>M-0-5-1-0-0-A-2-9-C-0-1-0</b>



THIS DWG IS CONFIDENTIAL & PROPERTY OF BALLY/MIDWAY MFG CO

SHEET 8 OF 22

<b>DIM. TOLERANCES</b> UNLESS OTHERWISE SPEC CONCENTRICITY T.I.R. .002 FRACTIONAL ± 1/64 DECIMAL ± .005 HOLE DIA. + .002 - .000 ANGLE ± 1/2° <b>DO NOT SCALE DWG.</b>	FIRST USED ON <b>JR. PACMAN</b>	DRN <b>TBB</b>	DATE <b>12/08/83</b>	SCALE <b>FULL</b>	<i>Bally</i> /MIDWAY MFG. CO. FRANKLIN PARK, IL 60131	DIGITAL IN1
	MECH CHK  ELEC CHK	MAT L  FINISH	JR. PACMAN (CONVERSION) LOGIC P.C. A080-91688-CA29	REVISIONS  PART NO M-0-5-1-0-0-A-2-9-C-0-1-0		

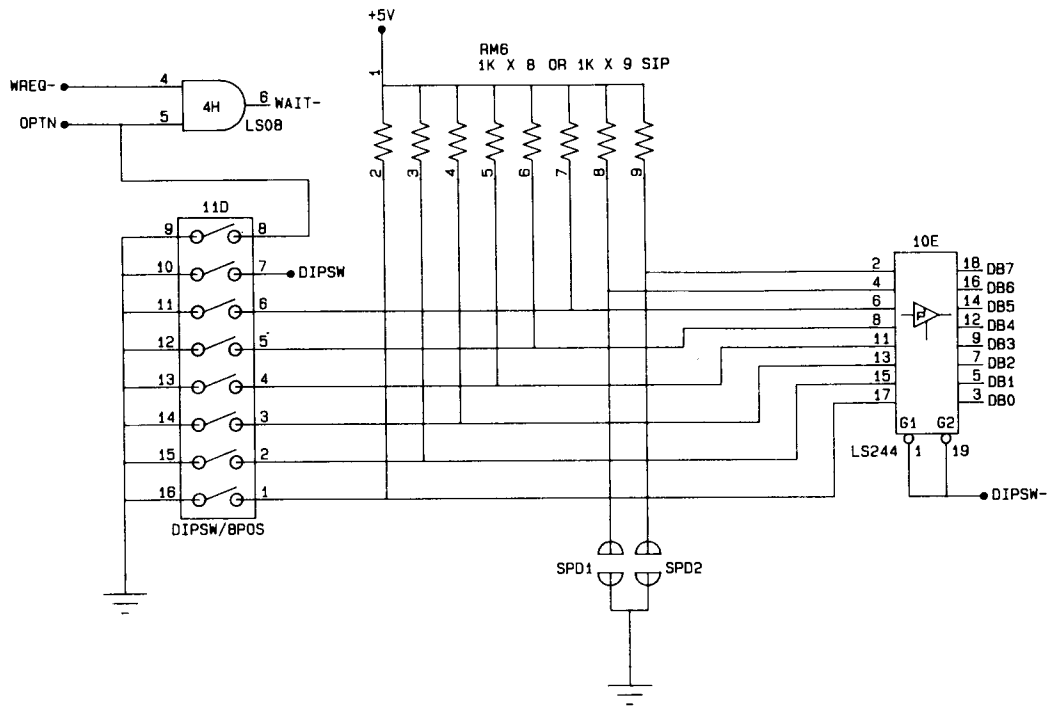


THIS DWG IS CONFIDENTIAL & PROPERTY OF BALLY/MIDWAY MFG CO

SHEET 9 OF 22

<b>DIM. TOLERANCES</b> UNLESS OTHERWISE SPEC. CONCENTRICITY T.I.R. .002 FRACTIONAL ± 1/64 DECIMAL ± .005 HOLE DIA. + .002 - .000 ANGLE ± 1/2° <b>DO NOT SCALE DWG.</b>	FIRST USED ON <b>JR. PACMAN</b>	DATE <b>12/08/83</b>	SCALE <b>FULL</b>	<b>Bally/MIDWAY mfg. co.</b> FRANKLIN PARK, IL 60131	<b>JR. PACMAN (CONVERSION)</b> LOGIC P.C. A080-91688-CA29	<b>DIGITAL IN2</b>
	DRN <b>TBB</b>					
	MECH CHK	MAT L	REVISIONS			
	ELEC CHK	FINISH	PART NO <b>M0-5-1-0-0-A-2-9-C-0-1-0</b>			

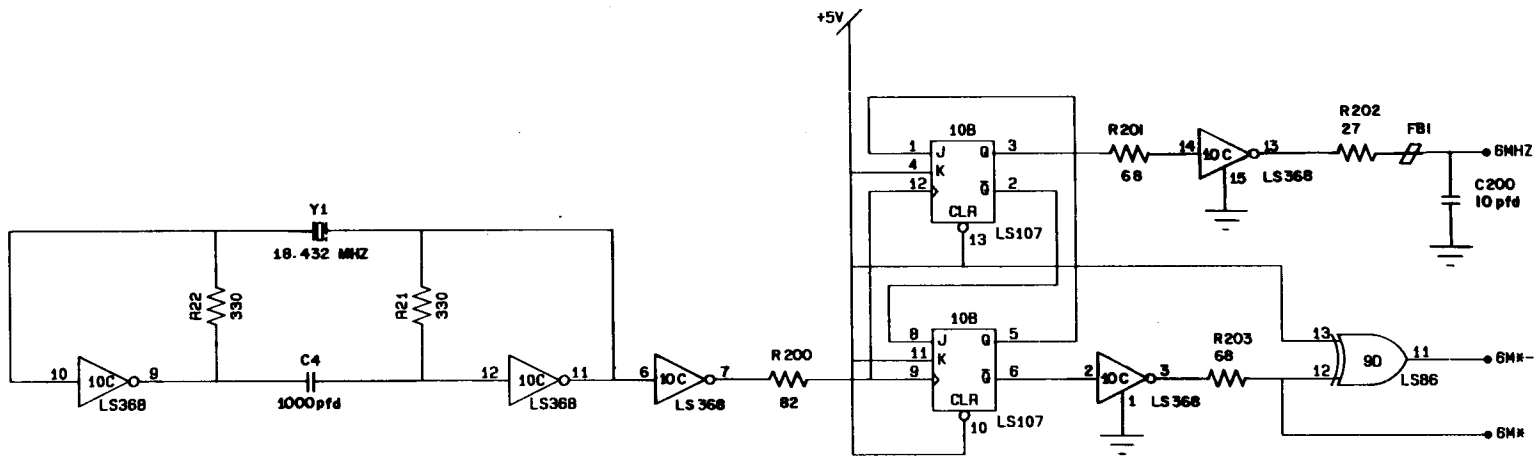




THIS DWG IS CONFIDENTIAL & PROPERTY OF BALLY/MIDWAY MFG CO

SHEET 10 OF 22

<b>DIM. TOLERANCES</b> UNLESS OTHERWISE SPEC. CONCENTRICITY T.I.R. .002 FRACTIONAL ± 1/64 DECIMAL ± .005 HOLE DIA. +.002 - .000 ANGLE ± 1/2° <b>DO NOT SCALE DWG.</b>	FIRST USED ON <b>JR. PACMAN</b>	<i>Bally</i> / <b>MIDWAY MFG. CO.</b> FRANKLIN PARK, IL 60131	<b>DIPSWITCH</b>	
	DRN <b>TBB</b> DATE <b>12/08/83</b> SCALE <b>FULL</b>		<b>REVISIONS</b>	
	MECH CHK _____ MAT'L _____	<b>JR. PACMAN (CONVERSION)</b> <b>LOGIC P.C.</b> <b>A080-91688-CA29</b>		PART NO <b>M-0-5-1-0-0-A-2-9-C-0-1-0</b>
	ELEC CHK _____ FINISH _____			



THIS DWG. IS CONFIDENTIAL & PROPERTY OF BALLY/MIDWAY MFG. CO.

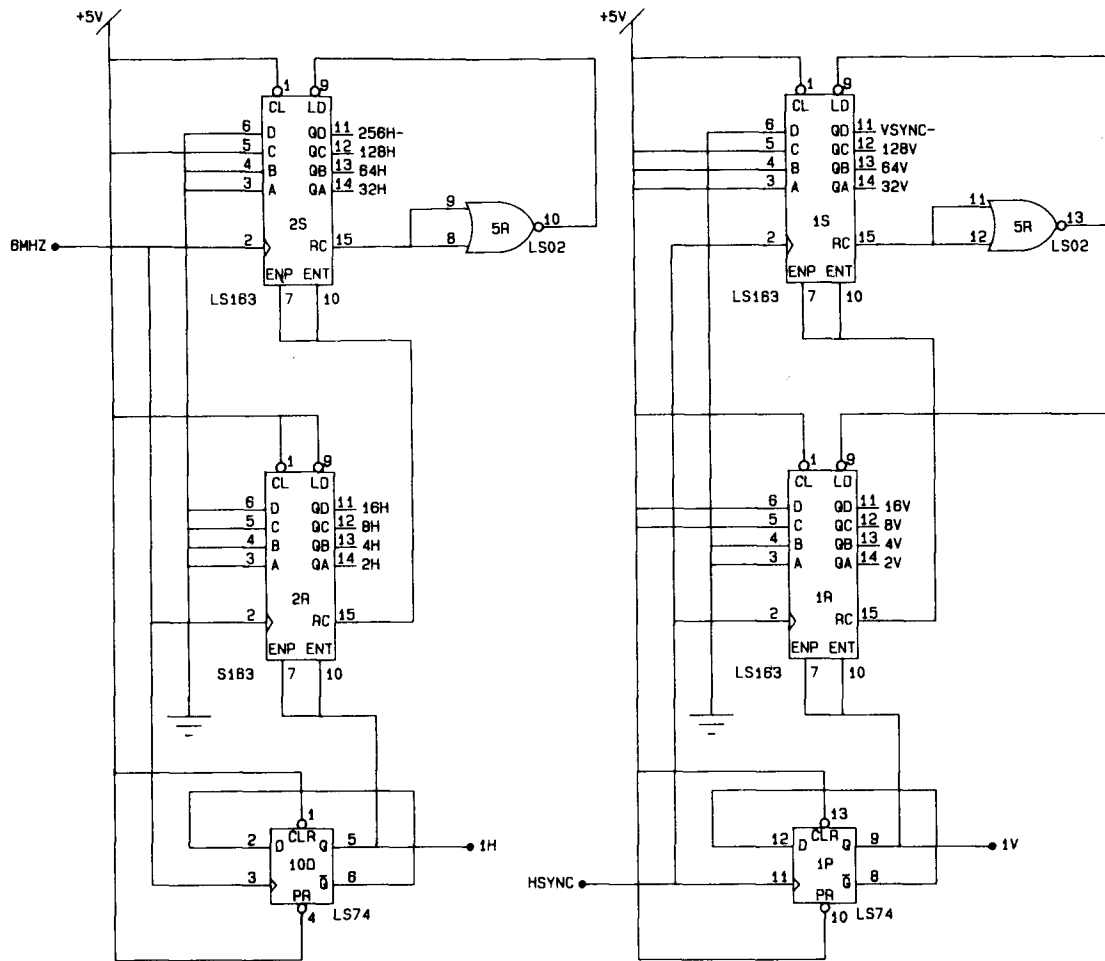
SHEET 11 OF 22

**DIM. TOLERANCES**  
 UNLESS OTHERWISE SPEC.  
 CONCENTRICITY T.I.R. .002  
 FRACTIONAL ± .1/64  
 DECIMAL ± .005  
 HOLE DIA. +.002 - .000  
 ANGLE ± 1/2°  
**DO NOT SCALE DWG.**

FIRST USED ON	JR. PACMAN	
DRN	DATE	SCALE
100	12/08/83	FULL
MECH. CHK.	MAT'L	
ELEC. CHK.	FINISH	

*Bally* / **MIDWAY MFG. CO.**  
 FRANKLIN PARK, IL 60131  
 JR. PACMAN (CONVERSION)  
 LOGIC P.C.  
 A080-91688-CA29

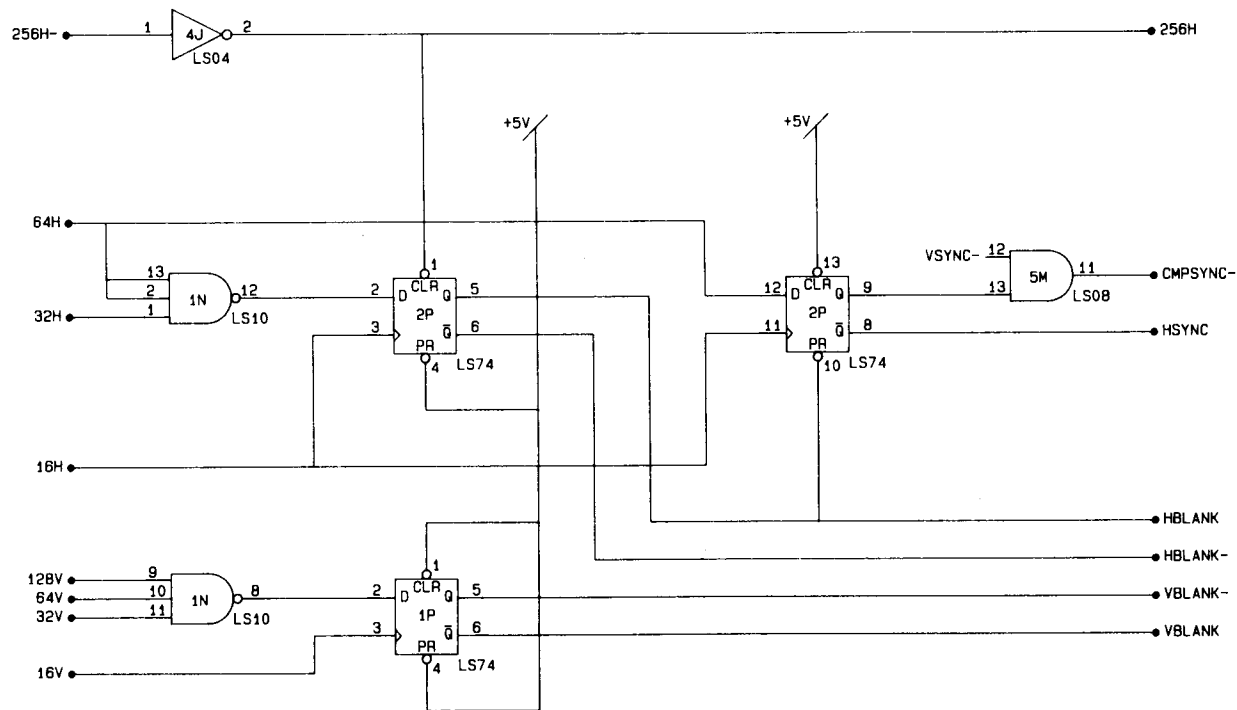
<b>CLOCK GENERATOR</b>	
<b>REVISIONS</b>	
PART NO.	M0-5-1-0-0-A-2-9-C-0-1-0



THIS DWG IS CONFIDENTIAL & PROPERTY OF BALLY/MIDWAY MFG CO

SHEET 12 OF 22

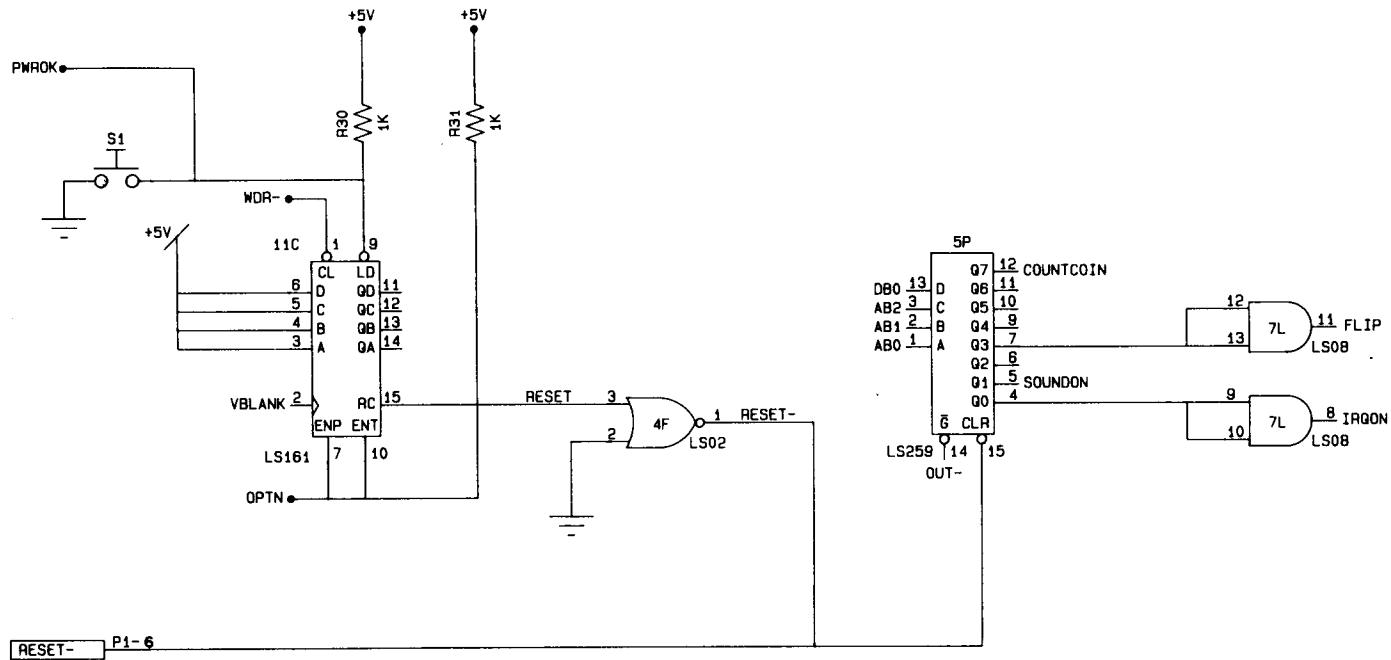
<b>DIM. TOLERANCES</b> UNLESS OTHERWISE SPEC. CONCENTRICITY T.I.R. .002 FRACTIONAL ± 1/64 DECIMAL ± .005 HOLE DIA. +.002-.000 ANGLE ± 1/2° <b>DO NOT SCALE DWG.</b>	FIRST USED ON: <b>JR. PACMAN</b>	DATE: <b>12/08/83</b> SCALE: <b>FULL</b>	<b>Bally/MIDWAY MFG. CO.</b> FRANKLIN PARK, IL 60131	<b>SYNC GENERATOR</b>		
	DRN: <b>TBB</b>			<b>REVISIONS</b>		
	MECH. CHK:	JR. PACMAN (CONVERSION) LOGIC P.C. A080-91688-CA29		PART NO <b>M.O.5-1-0-0-A-2-9-C-0-1-0</b>		
	ELEC. CHK:	FINISH:				



THIS DWG IS CONFIDENTIAL & PROPERTY OF BALLY/MIDWAY MFG CO

SHEET 13 OF 22

<b>DIM. TOLERANCES</b> UNLESS OTHERWISE SPEC. CONCENTRICITY T.I.R. .002 FRACTIONAL ..... ± 1/64 DECIMAL ..... ± .005 HOLE DIA. .... +.002 - .000 ANGLE ..... ± 1/2° <b>DO NOT SCALE DWG.</b>	FIRST USED ON <b>JR. PACMAN</b>	DATE <b>12/08/83</b>	SCALE <b>FULL</b>	<i>Bally</i> / <b>MIDWAY MFG. CO.</b> FRANKLIN PARK, IL 60131	<b>BLANK GENERATOR</b>
	DRN <b>TBB</b>	MECH CHK	MAT L		<b>JR. PACMAN (CONVERSION)</b> <b>LOGIC P.C.</b> <b>A080-91688-CA29</b>
ELEC CHK	FINISH	<b>PART NO</b> <b>M-0-5-1-0-0-A-2-9-C-0-1-0</b>			



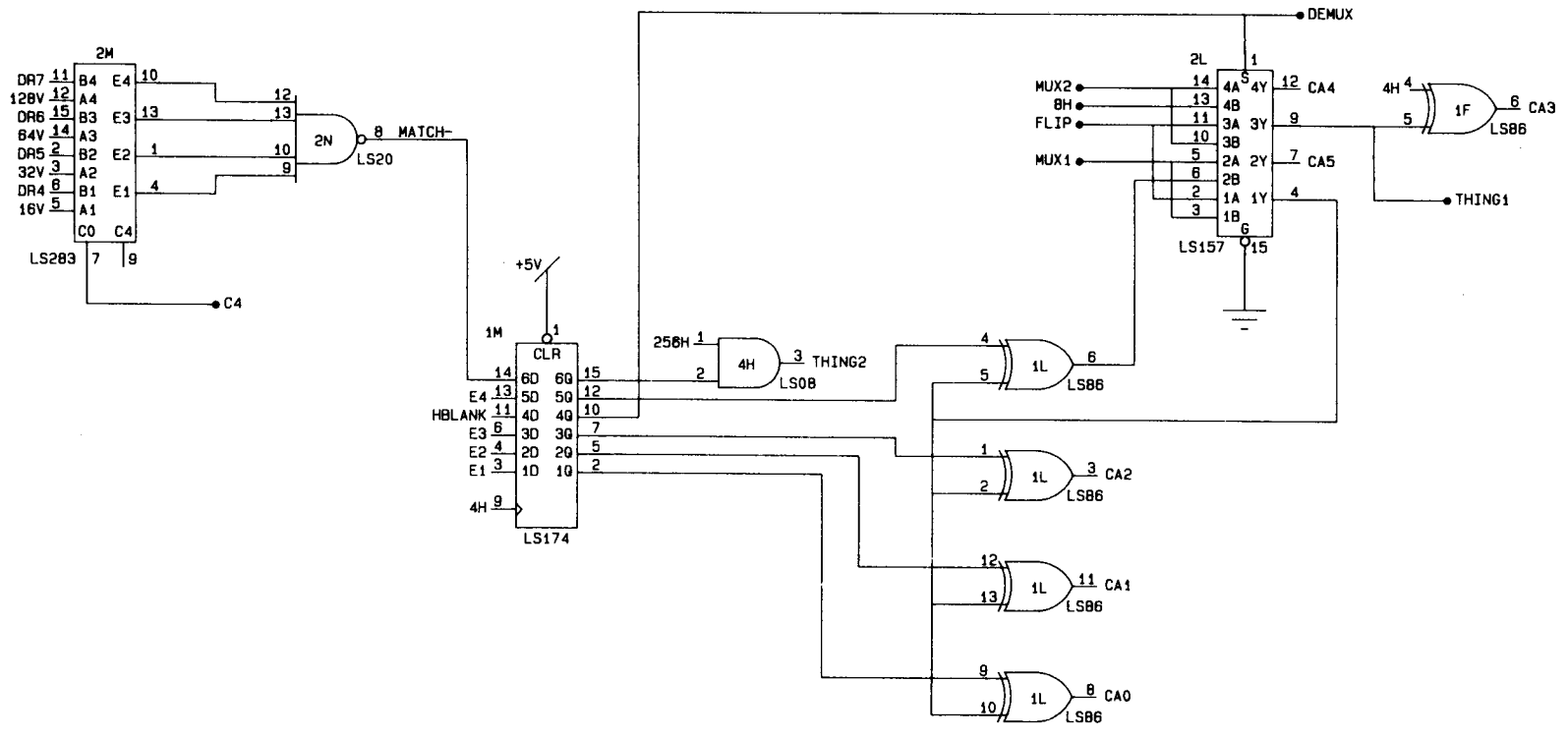
THIS DWG. IS CONFIDENTIAL & PROPERTY OF BALLY/MIDWAY MFG. CO.

SHEET 14 OF 22

<b>DIM. TOLERANCES</b> UNLESS OTHERWISE SPEC. CONCENTRICITY T.I.R. .002 FRACTIONAL ± .164 DECIMAL ± .005 HOLE DIA. +.002-.000 ANGLE ± 1/2° <b>DO NOT SCALE DWG.</b>	FIRST USED ON	JR. PACMAN	
	DRN	DATE	SCALE
	MECH. CHR.	MAT'L	
	ELEC. CHR.	FINISH	

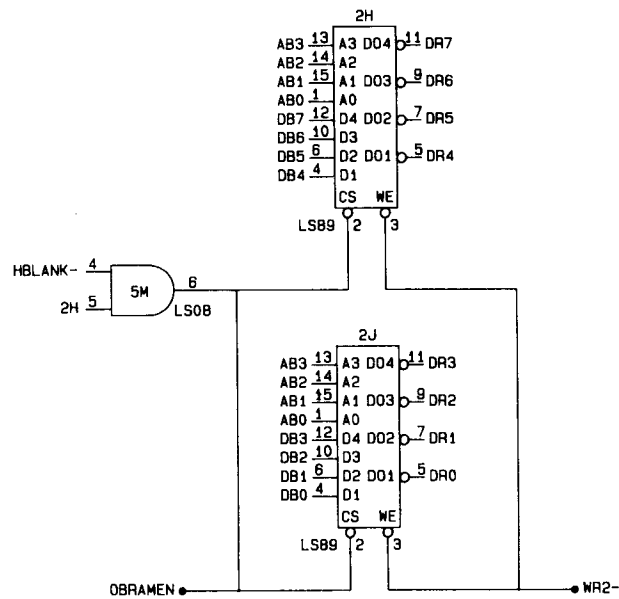
<i>Bally</i> / <b>MIDWAY MFG. CO.</b> <small>FRANKLIN PARK, IL 60131</small>	
<b>JR. PACMAN (CONVERSION)</b> <b>LOGIC P.C.</b> <b>A080-91688-CA29</b>	

<b>RESET IRQ</b>	
<b>REVISIONS</b>	
PART NO <b>M-0-5-1-0-0-A-2-9-C-0-1-0</b>	



THIS DWG. IS CONFIDENTIAL & PROPERTY OF BALLY/MIDWAY MFG. CO.

<b>DIM. TOLERANCES</b> UNLESS OTHERWISE SPEC. CONCENTRICITY T.I.R. .002 FRACTIONAL ± 1/64 DECIMAL ± .005 HOLE DIA. +.002-.000 ANGLE ± 1/2° <b>DO NOT SCALE DWG.</b>	FIRST USED ON <b>JR. PACMAN</b>		<b>Bally/MIDWAY MFG. CO.</b> FRANKLIN PARK, IL 60131		<b>SHEET 15 OF 22</b>
	DRN <b>TBB</b>	DATE <b>12/08/83</b>	SCALE <b>FULL</b>	<b>VERT. ADDRESS TIMING</b>	
	MECH. CHK.	MAT. I.	<b>JR. PACMAN (CONVERSION)</b> <b>LOGIC P.C.</b> <b>A080-91688-CA29</b>		<b>REVISIONS</b>
	ELEC. CHK.	FINISH	PART NO <b>M-0-5-1-0-0-A-2-9-C-0-1-0</b>		



THIS DWG. IS CONFIDENTIAL & PROPERTY OF BALLY/MIDWAY MFG. CO.

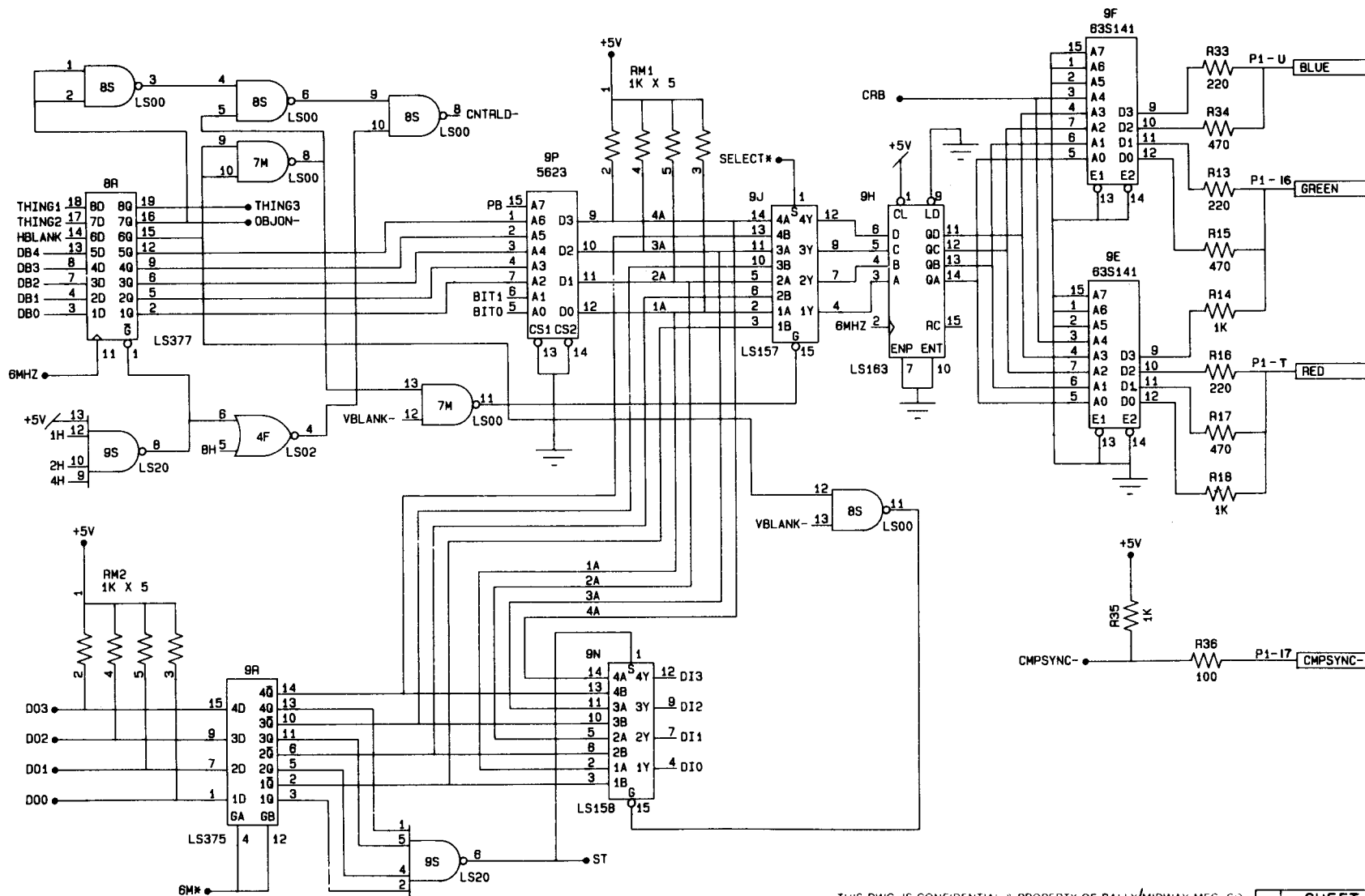
SHEET 16 OF 22

<b>DIM. TOLERANCES</b> UNLESS OTHERWISE SPEC. CONCENTRICITY T.I.R. .002 FRACTIONAL ± .164 DECIMAL ± .005 HOLE DIA. +.002-.000 ANGLE ± 1/2° <b>DO NOT SCALE DWG.</b>	FIRST USED ON <b>JR. PACMAN</b>	<b>Bally/MIDWAY MFG. CO.</b> FRANKLIN PARK, IL 60131 <b>JR. PACMAN (CONVERSION)</b> LOGIC P.C. A080-91688-CA29	<b>OBJECT RAM</b>		
	DRN <b>TBB</b>		DATE <b>12/08/83</b>	SCALE <b>FULL</b>	<b>REVISIONS</b> PART NO <b>M.O.5.1-0.0.A.2.9-C.0.1.0</b>
	MECH. CHK		MAT'L		
	ELEC. CHK		FINISH		









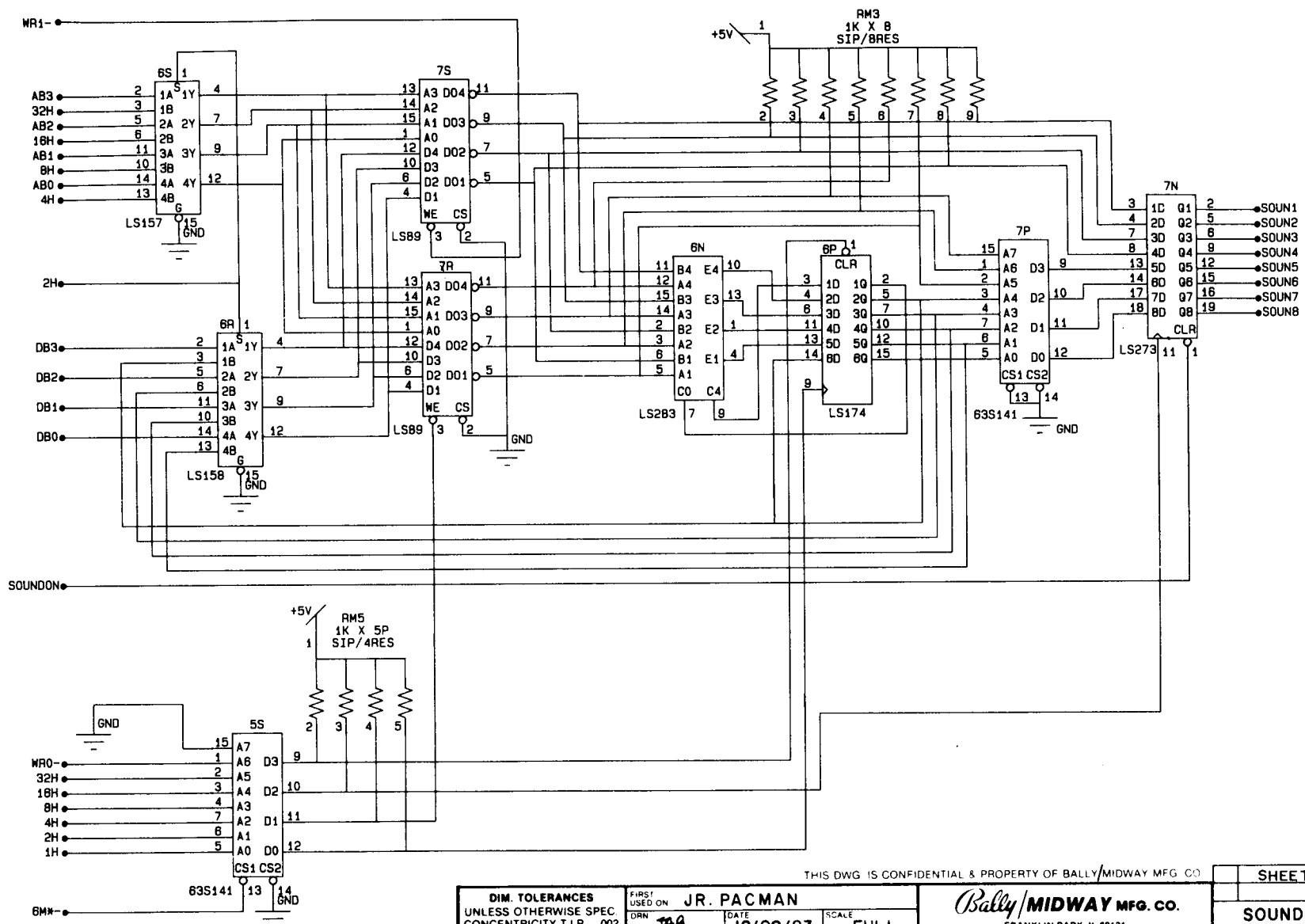
THIS DWG. IS CONFIDENTIAL & PROPERTY OF BALLY/MIDWAY MFG. CO.

SHEET 19 OF 22

<b>DIM. TOLERANCES</b> UNLESS OTHERWISE SPEC. CONCENTRICITY T.I.R. .002 FRACTIONAL . . . . . ± .154 DECIMAL . . . . . ± .005 HOLE DIA. . . . . +.002 - .000 ANGLE . . . . . ± 1/2° <b>DO NOT SCALE DWG.</b>	FIRST USED ON	JR. PACMAN	
	DRN	DATE	SCALE
	MECH. CHK	MAT. I	
	ELEC. CHK	FINISH	

**Bally/MIDWAY MFG. CO.**  
 FRANKLIN PARK, IL 60131  
**JR. PACMAN (CONVERSION)**  
 LOGIC P.C.  
 A080-91688-CA29

COLOR ROM
REVISIONS
PART NO
M-O-5-1-0-0-A-2-9-C-0-1-0



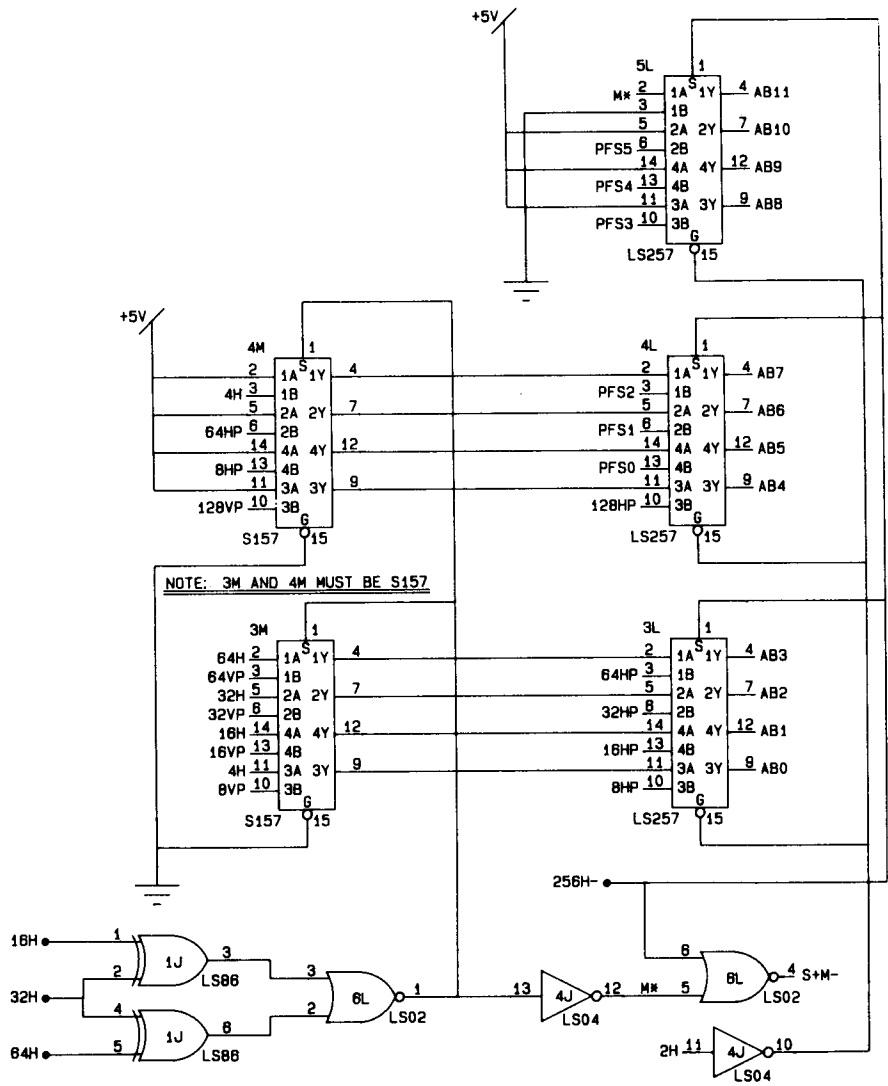
THIS DWG IS CONFIDENTIAL & PROPERTY OF BALLY/MIDWAY MFG CO

SHEET 20 OF 22

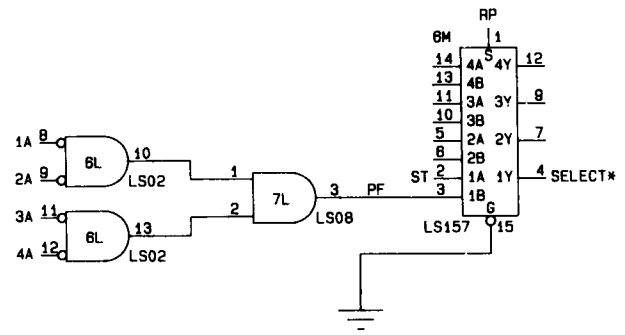
<b>DIM. TOLERANCES</b> UNLESS OTHERWISE SPEC CONCENTRICITY T.I.R. .002 FRACTIONAL ± 1/64 DECIMAL ± .005 HOLE DIA. + .002 - .000 ANGLE ± 1/2° <b>DO NOT SCALE DWG.</b>	FIRST USED ON	JR. PACMAN	
	DRN	DATE	SCALE
	MECH. CHK	12/08/83	FULL
	ELEC. CHK		

**Bally/MIDWAY MFG. CO.**  
 FRANKLIN PARK, IL 60131  
 JR. PACMAN (CONVERSION)  
 LOGIC P.C.  
 A080-91688-CA29

SOUND	
REVISIONS	
PART NO	M.O.5.1-0.0.A.2.9-C.0.1.0



NOTE: 3M AND 4M MUST BE S157



THIS DWG IS CONFIDENTIAL & PROPERTY OF BALLY/MIDWAY MFG CO

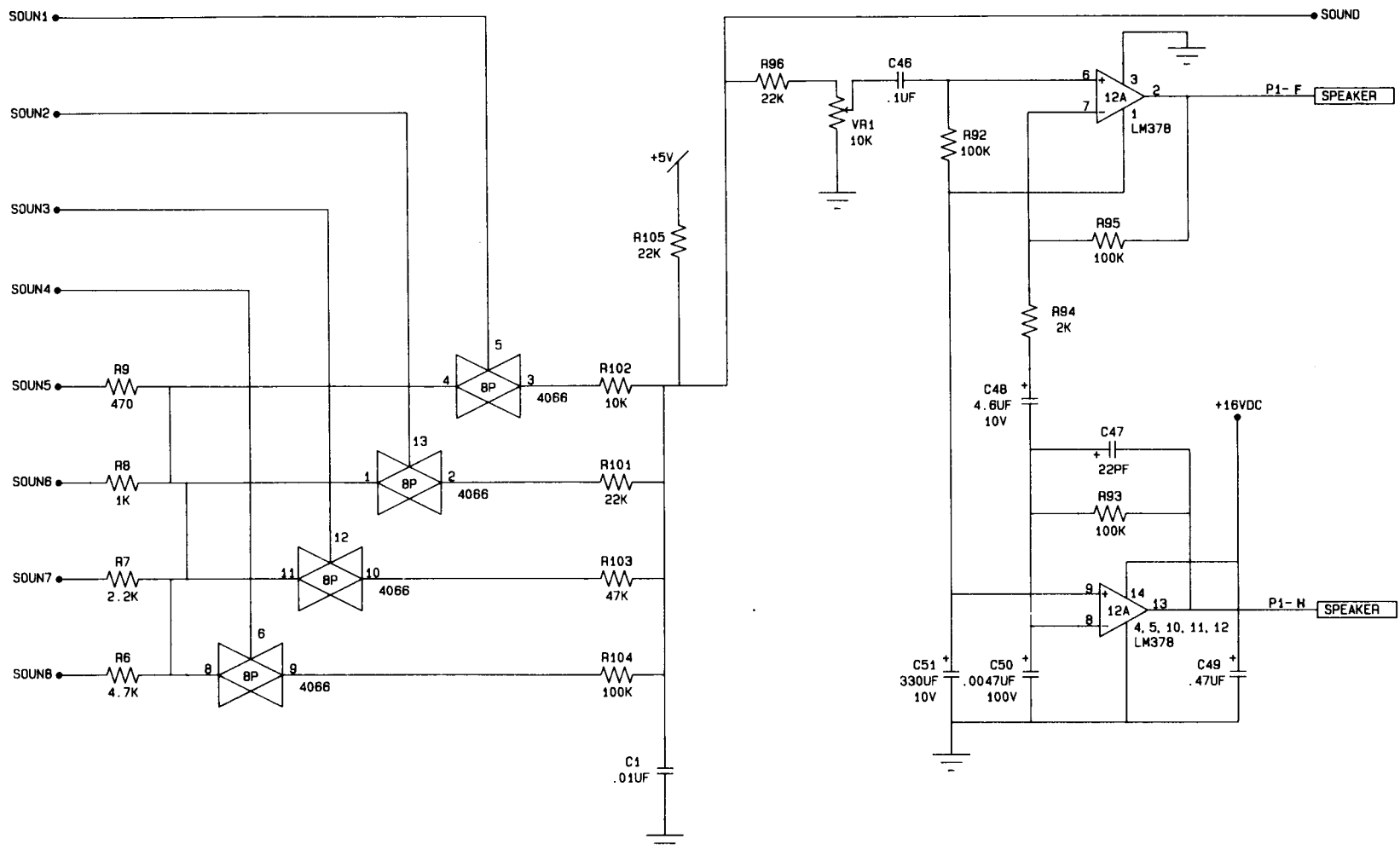
SHEET 21 OF 22

<b>DIM. TOLERANCES</b> UNLESS OTHERWISE SPEC. CONCENTRICITY T.I.R. .002 FRACTIONAL ± 1/64 DECIMAL ± .005 HOLE DIA. + .002 - .000 ANGLE ± 1/2° <b>DO NOT SCALE DWG.</b>	FIRST USED ON	JR. PACMAN	
	DRN	DATE	SCALE
	MECH CHK	MAT L	
	ELEC CHK	FINISH	

*Bally* / **MIDWAY MFG. CO.**  
FRANKLIN PARK, IL 60131

**JR. PACMAN (CONVERSION)**  
LOGIC P.C.  
A080-91688-CA29

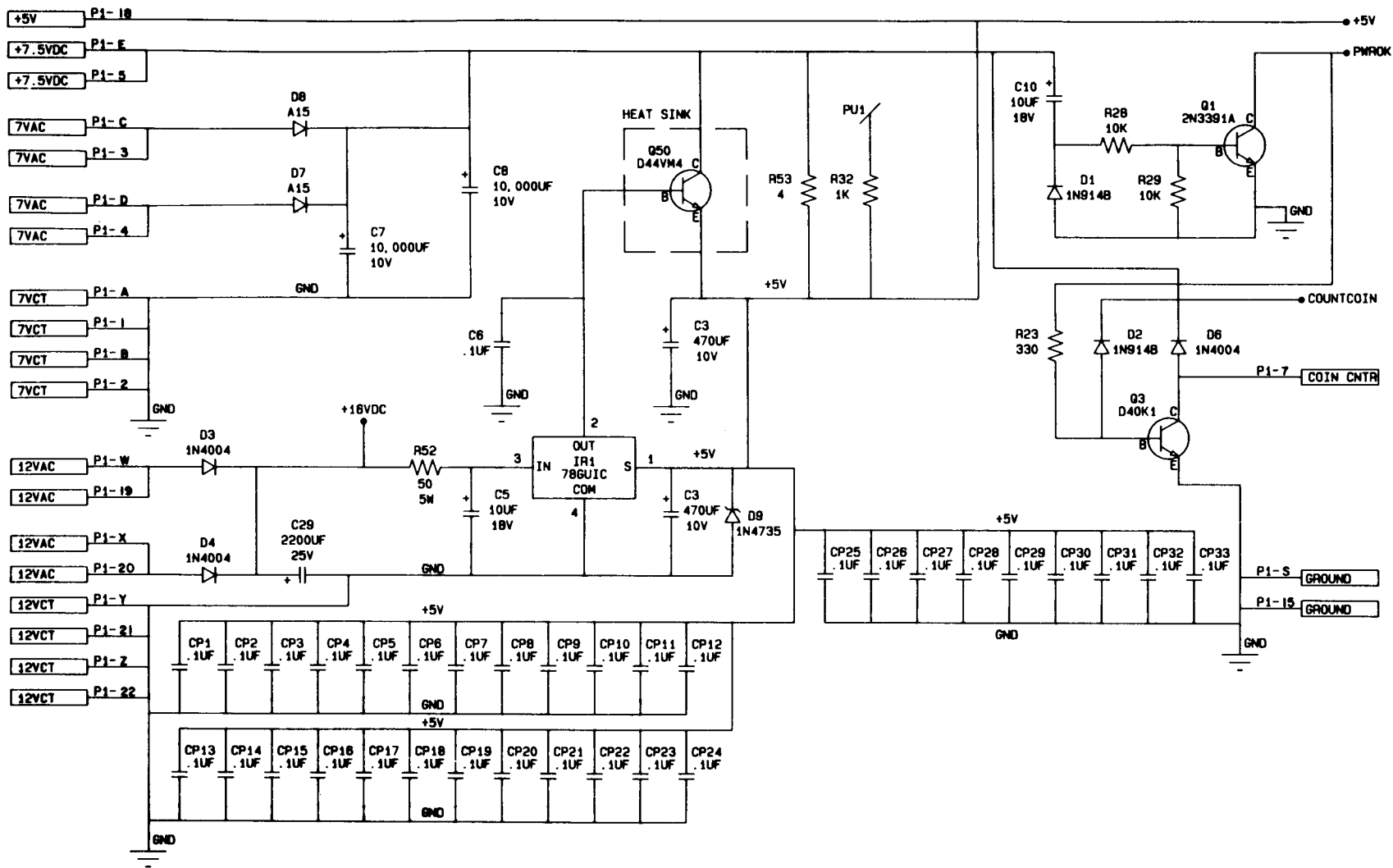
<b>PROMPT / STAMP VIDEO</b>	
<b>REVISIONS</b>	
PART NO	M0-5-1-0-0-A-2-9-C-0-1-0



THIS DWG. IS CONFIDENTIAL & PROPERTY OF BALLY/MIDWAY MFG. CO.

SHEET 22 OF 22

<b>DIM. TOLERANCES</b> UNLESS OTHERWISE SPEC. CONCENTRICITY T.I.R. .002 FRACTIONAL ± 1/64 DECIMAL ± .005 HOLE DIA. +.002 - .000 ANGLE ± 1/2° <b>DO NOT SCALE DWG.</b>	FIRST USED ON <b>JR. PACMAN</b>	DATE <b>12/08/83</b>	SCALE <b>FULL</b>	 <b>Bally/MIDWAY MFG. CO.</b> FRANKLIN PARK, IL 60131	<b>AUDIO AMPLIFIER</b>
	DRN <b>TBB</b>				<b>REVISIONS</b>
	MECH. CHK.	MAT.	PART NO.		
	ELEC. CHK.	FINISH	<b>M-0-5-1-0-0-A-2-9-C-0-1-0</b>		
<b>JR. PACMAN (CONVERSION)</b> <b>LOGIC P.C.</b> <b>A080-91688-CA29</b>					



THIS DWG IS CONFIDENTIAL & PROPERTY OF BALLY/MIDWAY MFG CO

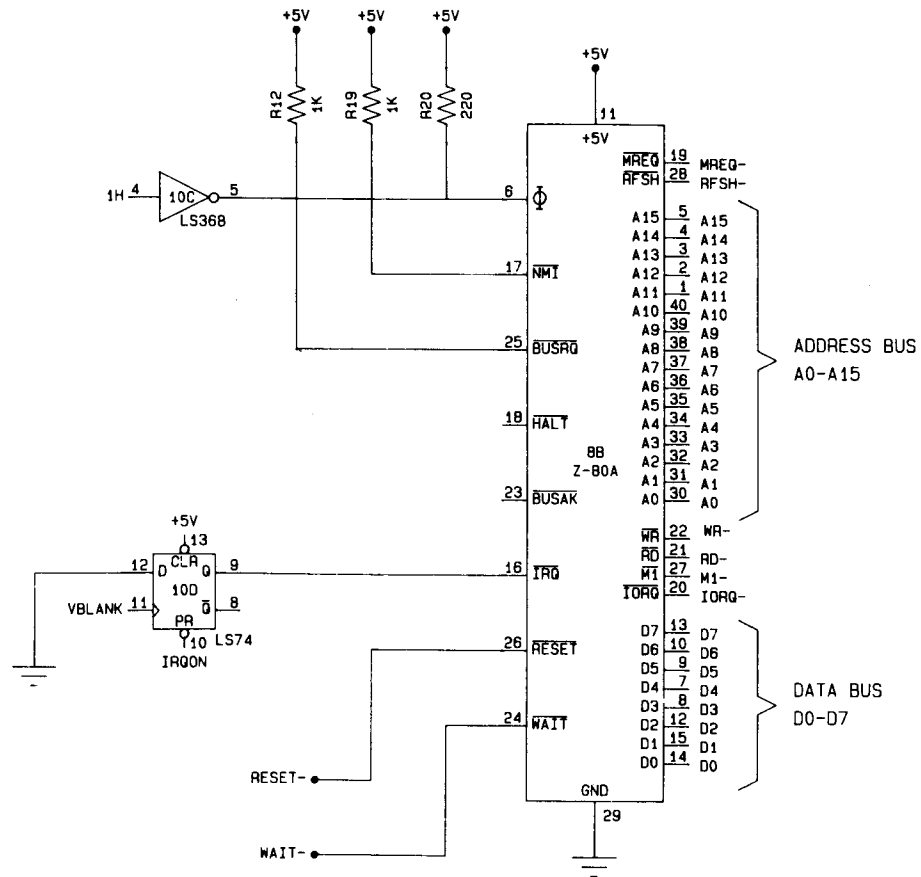
SHEET 1 OF 22

<b>DIM. TOLERANCES</b> UNLESS OTHERWISE SPEC. CONCENTRICITY T.I.R. .002 FRACTIONAL ± 1/64 DECIMAL ± .005 HOLE DIA. + .002 - .000 ANGLE ± 1/2° <b>DO NOT SCALE DWG.</b>	FIRST USED ON	JR. PACMAN	
	DRN	100	SCALE
	DATE	11/29/83	FULL
	MECH. CHK		
ELEC. CHK			
FINISH			

**Bally/MIDWAY MFG. CO.**  
FRANKLIN PARK, IL 60131

JR. PACMAN (FIELD KIT)  
LOGIC P.C.  
A080-91694-BA29

REVISIONS	
PART NO	M 080-91694-BA29
DATE	11-29-83



THIS DWG IS CONFIDENTIAL & PROPERTY OF BALLY/MIDWAY MFG CO.

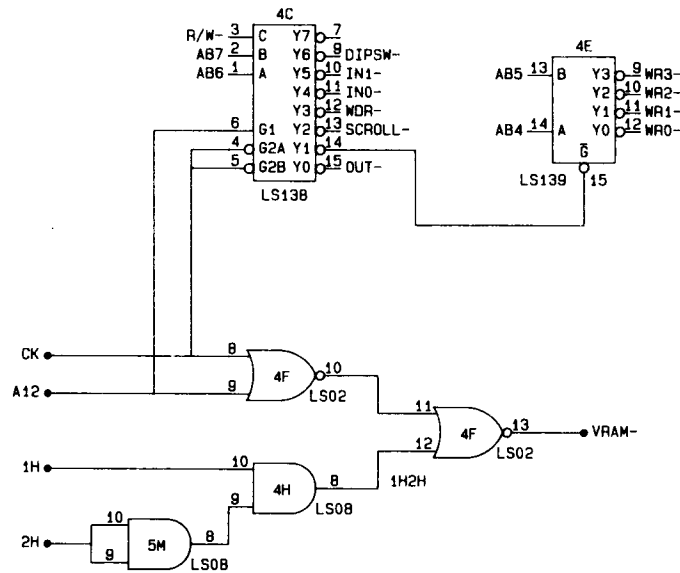
SHEET 2 OF 22

<b>DIM. TOLERANCES</b> UNLESS OTHERWISE SPEC CONCENTRICITY TIR .002 FRACTIONAL ± 1/64 DECIMAL ± .005 HOLE DIA + .002 - .000 ANGLE ± 1/2° <b>DO NOT SCALE DWG.</b>	FIRST USED ON	JR. PACMAN	
	DRN	700	DATE 11/29/83
	MECH CKR		SCALE FULL
	ELEC CKR		FINISH

*Bally*/MIDWAY MFG. CO.  
FRANKLIN PARK, IL 60131

JR. PACMAN (FIELD KIT)  
LOGIC P.C.  
A 080-91694 - BA29

CPU	
REVISIONS	
PART NO	M-0-5-1-0-0-A-2-9-B-0-1-4

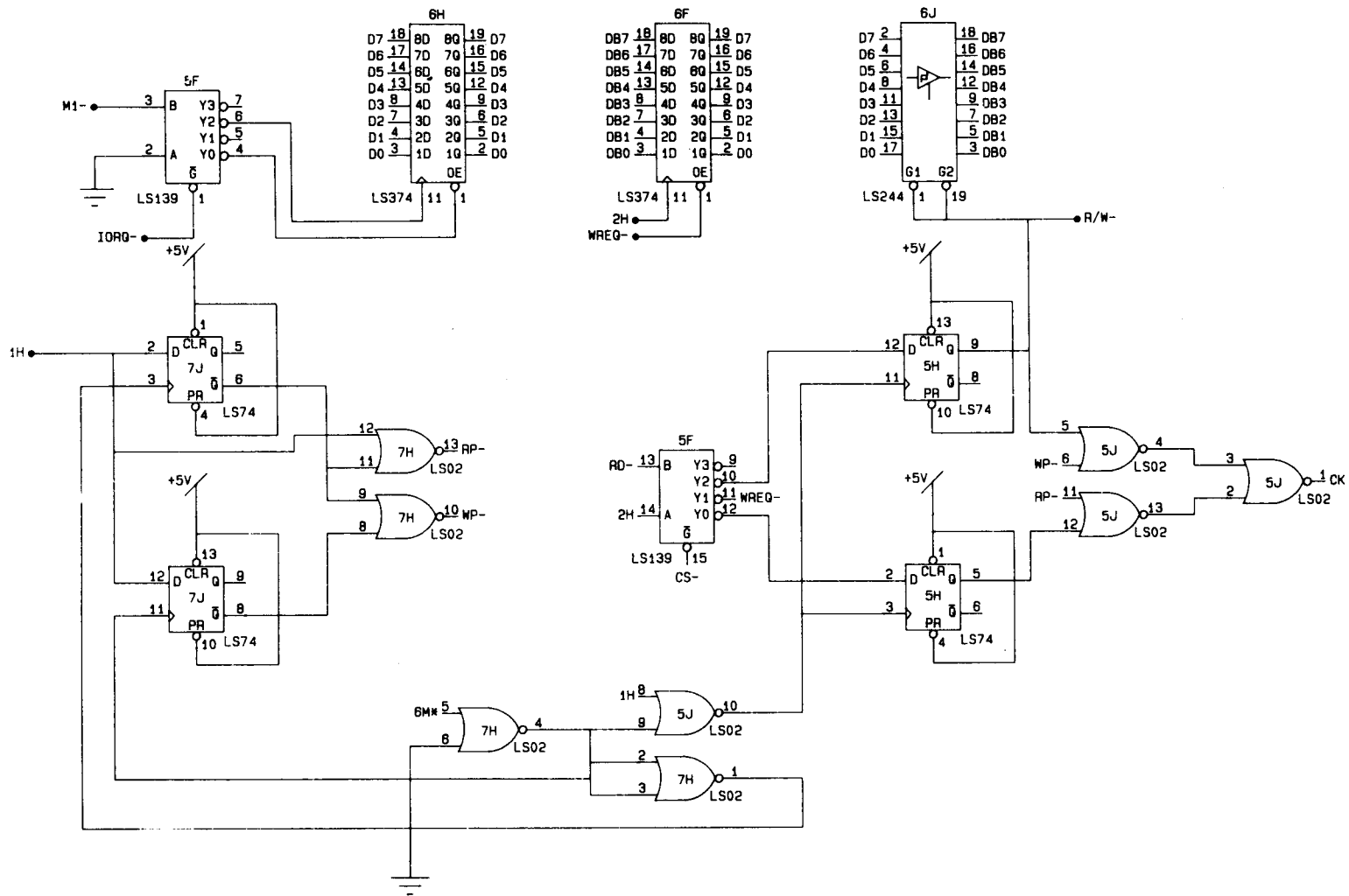


THIS DWG. IS CONFIDENTIAL & PROPERTY OF BALLY/MIDWAY MFG. CO.

SHEET 3 OF 22

<b>DIM. TOLERANCES</b> UNLESS OTHERWISE SPEC CONCENTRICITY T I R .002 FRACTIONAL ± 1/64 DECIMAL ± .005 HOLE DIA + .002 - .000 ANGLE ± 1/2° <b>DO NOT SCALE DWG.</b>	FIRST USED ON <b>JR. PACMAN</b>	<i>Bally</i> / <b>MIDWAY MFG. CO.</b> FRANKLIN PARK, IL 60131	<b>ADDRESS DECODE</b>	
	DRN <b>TBB</b> DATE <b>11/29/83</b> SCALE <b>FULL</b>		<b>REVISIONS</b>	
	MECH. CHG.      PART	<b>JR. PACMAN (FIELD KIT)</b> <b>LOGIC P.C.</b> <b>A080-91694 - BA29</b>	<b>PART NO</b> <b>M-O-5-1-0-0-A-2-9-B-0-1-4</b>	
	ELEC. CHK.      FINISH			





THIS DWG IS CONFIDENTIAL & PROPERTY OF BALLY/MIDWAY MFG. CO.

SHEET 4 OF 22

<b>DIM. TOLERANCES</b> UNLESS OTHERWISE SPEC. CONCENTRICITY TIR .002 FRACTIONAL ± 1/64 DECIMAL ± .005 HOLE DIA +.002 - .000 ANGLE ± 1/2° <b>DO NOT SCALE DWG.</b>	FIRST USED ON <b>JR. PACMAN</b>	DATE <b>11/29/83</b>		SCALE <b>FULL</b>	
	DRN <b>TBB</b>	MECH CHK MAT'L		ELEC CHK FINISH	
	ELEC CHK				FINISH
	FINISH				FINISH

**Bally/MIDWAY MFG. CO.**  
FRANKLIN PARK, IL 60131

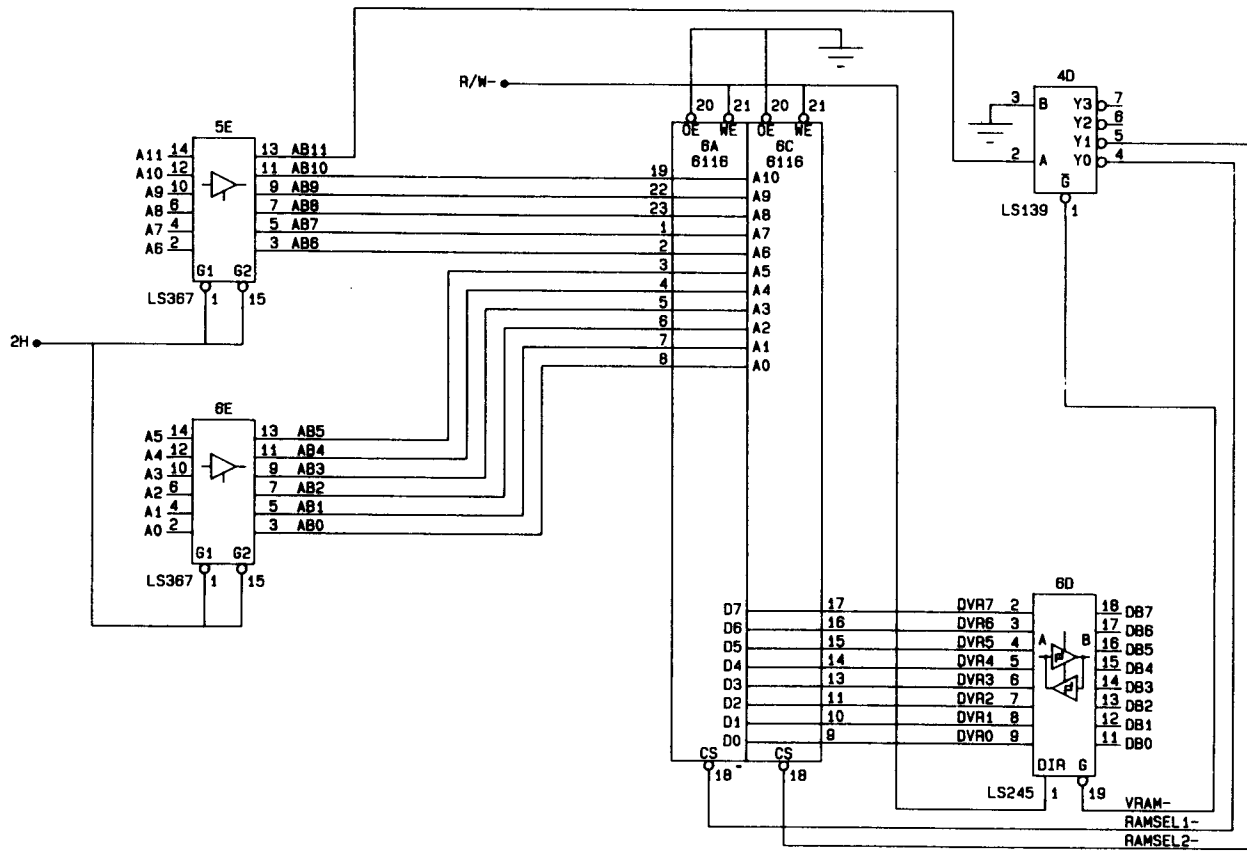
**JR. PACMAN (FIELD KIT)**  
LOGIC P.C.  
A080-91694-BA29

**SYNC BUS CONTROLLER**

REVISIONS

PART NO  
M.O.5.1-0.0.A.2.9-B.0.1.4





THIS DWG. IS CONFIDENTIAL & PROPERTY OF BALLY/MIDWAY MFG. CO.

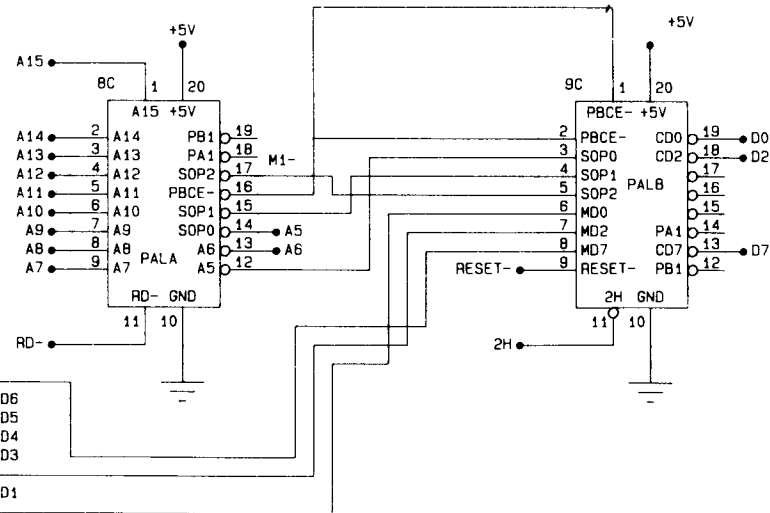
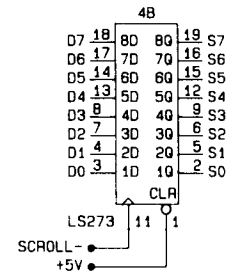
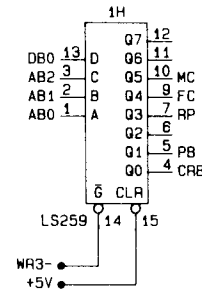
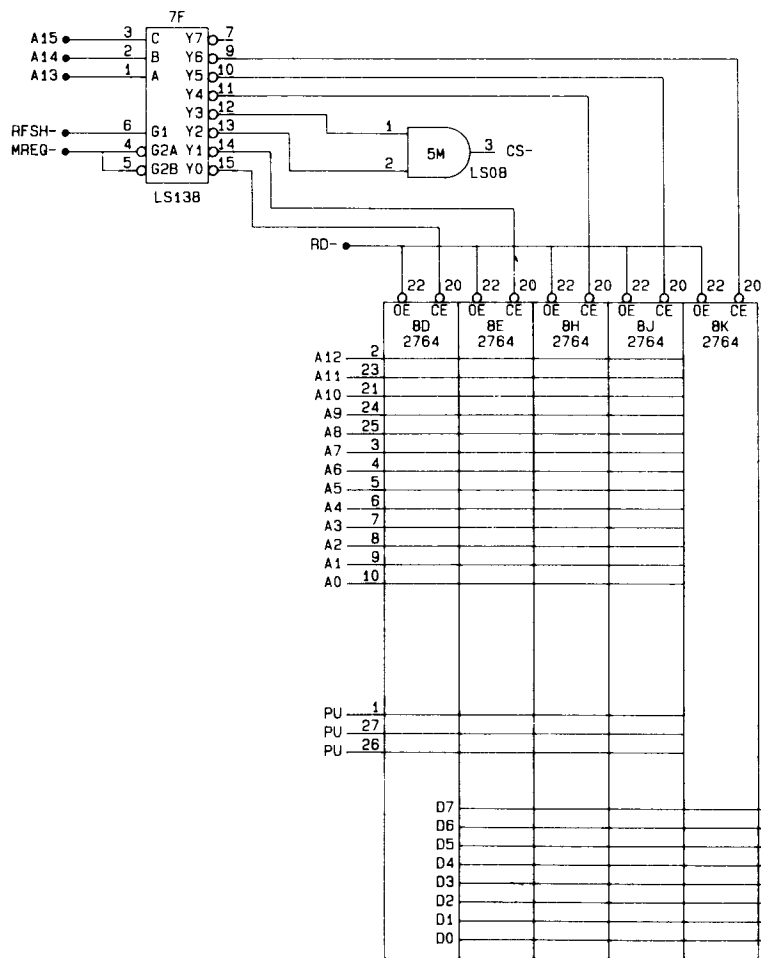
SHEET 6 OF 22

<b>DIM. TOLERANCES</b> UNLESS OTHERWISE SPEC CONCENTRICITY T.I.R. .002 FRACTIONAL ± 1/64 DECIMAL ± .005 HOLE DIA. + .002 - .000 ANGLE ± 1/2° <b>DO NOT SCALE DWG.</b>	FIRST USED ON	<b>JR. PACMAN</b>	
	DRN	DATE	SCALE
	MECH. CHR.	MAT.	
	ELEC. CHR.	FINISH	

*Bally*/MIDWAY MFG. CO.  
FRANKLIN PARK, IL 60131

JR. PACMAN (FIELD KIT)  
LOGIC P.C.  
A080-91694 - BA29

<b>RAM</b>	
<b>REVISIONS</b>	
PART NO	M-0-5-1-0-0-A-2-9-B-0-1-4



THIS DRAWING IS THE PROPERTY OF BALLY/MIDWAY MFG. CO.

<b>DIM. TOLERANCES</b> UNLESS OTHERWISE SPEC CONCENTRICITY TYP. 0.02 FRACTIONAL ± 1/64 DECIMAL ± .005 HOLE DIA. + .002 - .000 ANGLE ± 1.2° <b>DO NOT SCALE DWG.</b>	FIRST DESIGN	<b>JR. PACMAN</b>	DATE <b>11/29/83</b>	ALL
	DRN <b>TBB</b>	MFG. OR <b>11/29/83</b>	MAT.	FULL
	MECH. OR <b>11/29/83</b>	FINISH		
	FILE OR <b>11/29/83</b>			

**Bally/MIDWAY MFG. CO.**  
FRANKLIN PARK, IL 60131

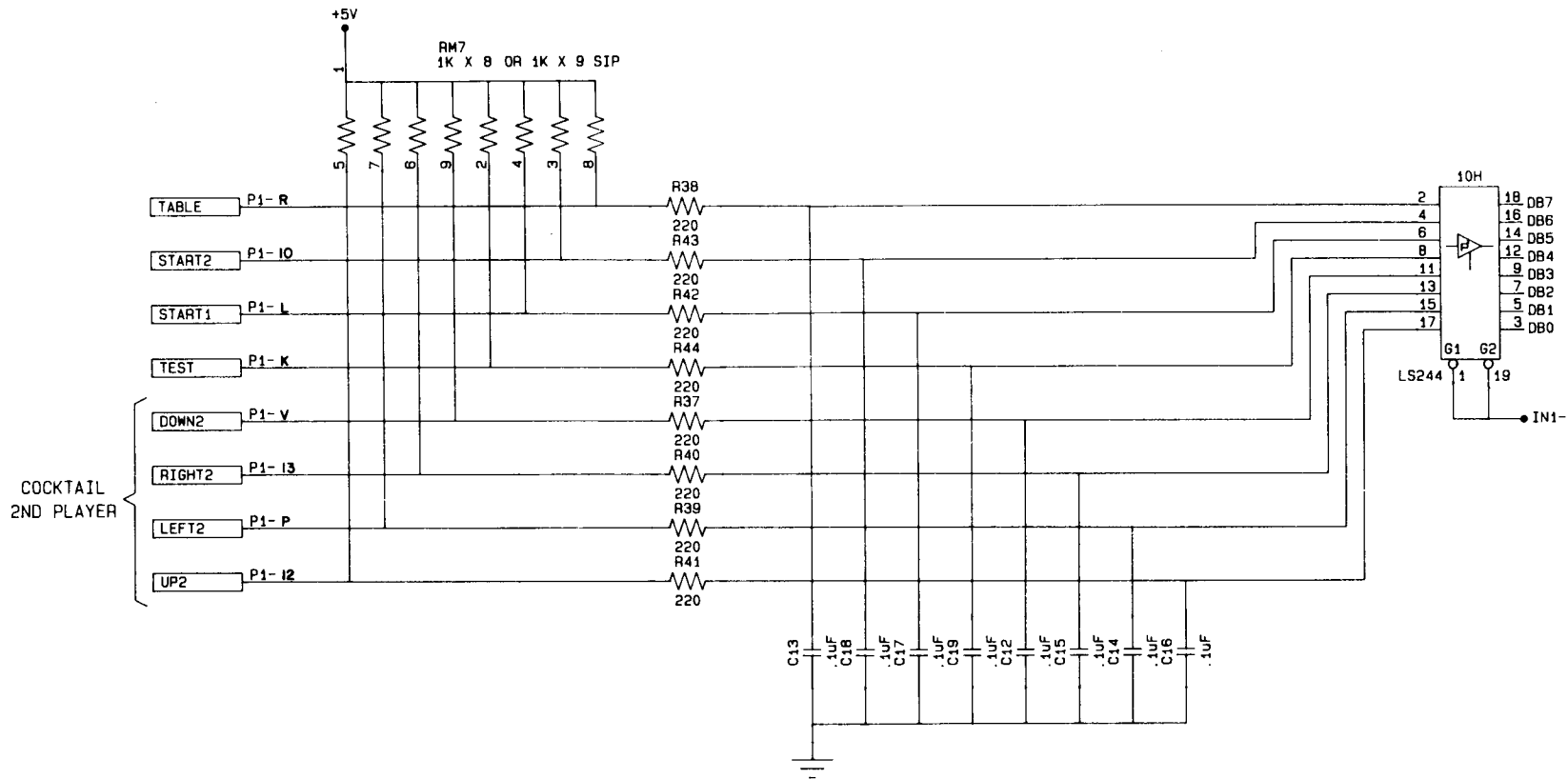
**JR. PACMAN (FIELD KIT)**  
LOGIC P.C.  
A080-91694 - BA29

SHEET 7 OF 22

ROM

REVISIONS

PART NO  
M05-1-00A-29-B-014



THIS DWG IS CONFIDENTIAL & PROPERTY OF BALLY/MIDWAY MFG. CO.

SHEET 8 OF 22

<b>DIM. TOLERANCES</b> UNLESS OTHERWISE SPEC. CONCENTRICITY T I R .002 FRACTIONAL ± 1/64 DECIMAL ± .005 HOLE DIA + .002 - .000 ANGLE ± 1/2° <b>DO NOT SCALE DWG.</b>	FIRST USED ON	JR. PACMAN	
	DRN	DATE	SCALE
	MECH. CHK	MA'1	
	ELEC. CHK	FINISH	

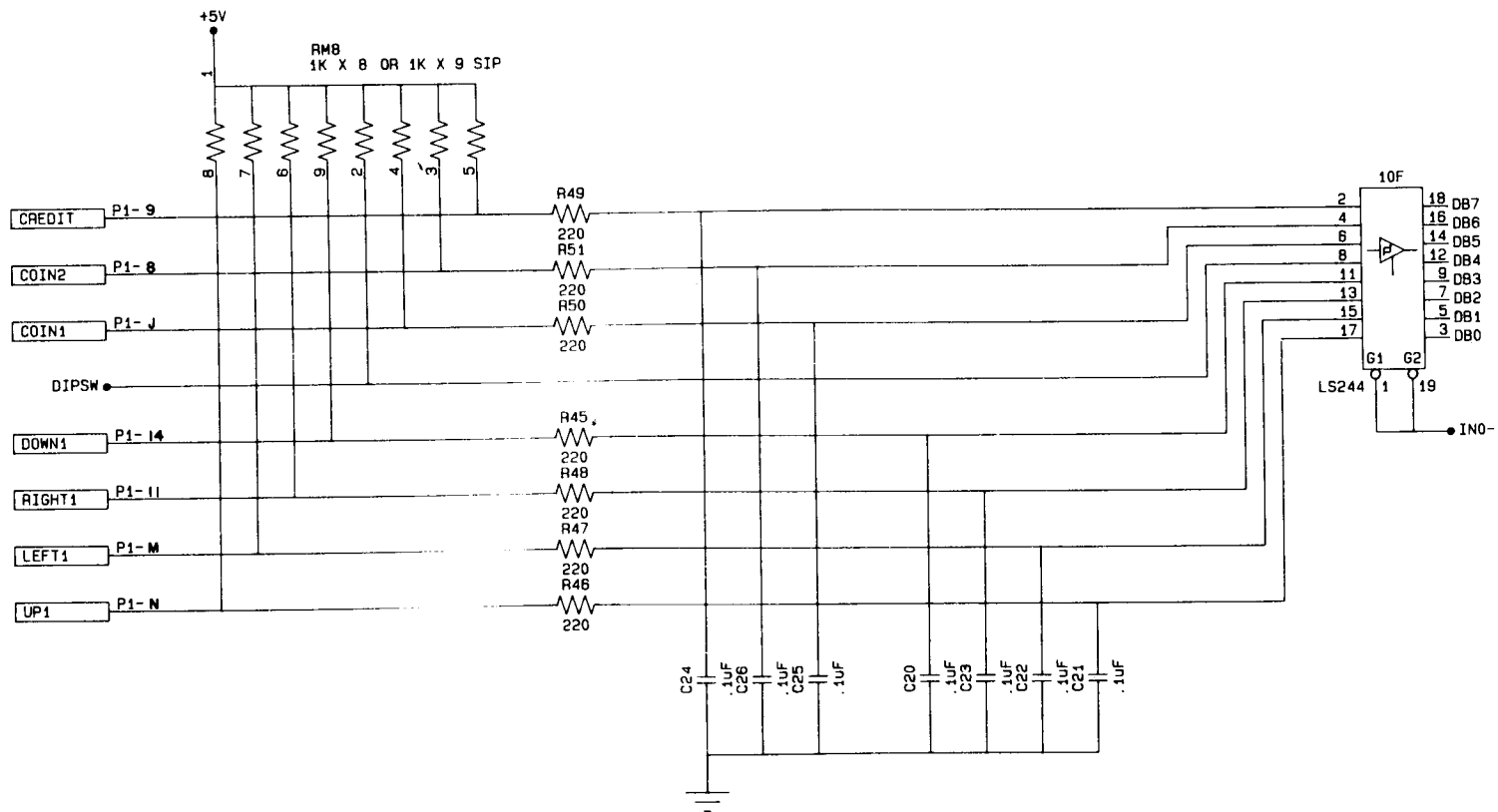
*Bally* / **MIDWAY MFG. CO.**  
FRANKLIN PARK, IL 60131

JR. PACMAN (FIELD KIT)  
LOGIC P.C.  
A080-91694-BA29

DIGITAL IN1

REVISIONS

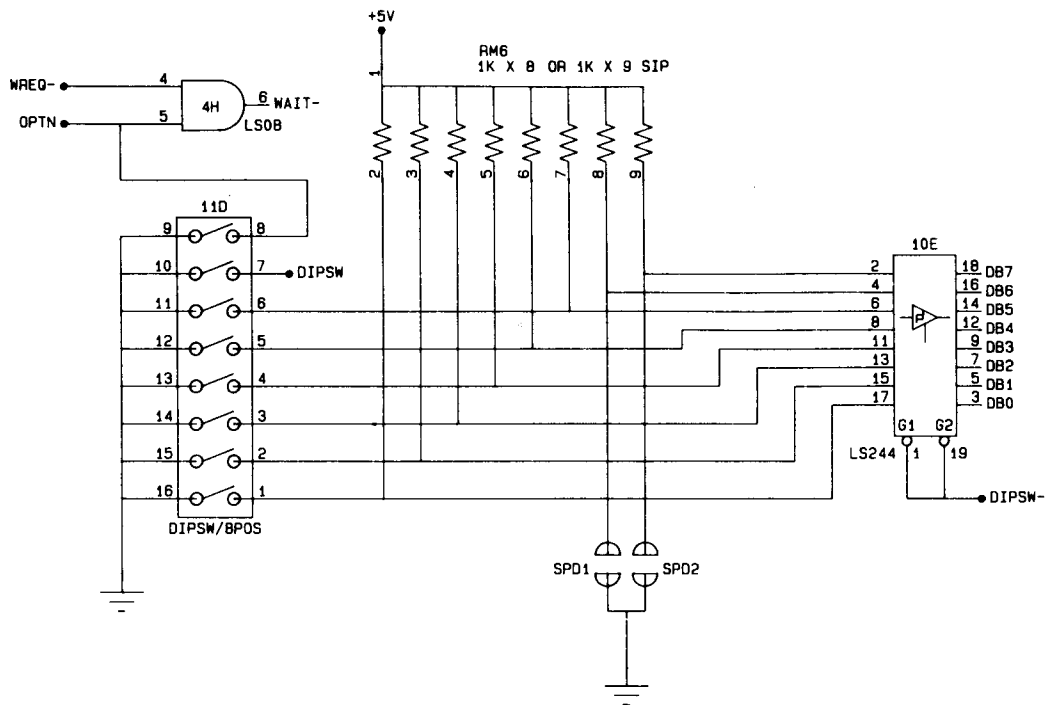
PART NO. M0-5-1-0-0-A-2-9-B-0-1-4



THIS DWG IS CONFIDENTIAL & PROPERTY OF BALLY/MIDWAY MFG. CO.

SHEET 9 OF 22

<b>DIM. TOLERANCES</b> UNLESS OTHERWISE SPEC CONCENTRICITY T I R .002 FRACTIONAL ± 1/64 DECIMAL ± .005 HOLE DIA +.002 - .000 ANGLE ± 1/2° <b>DO NOT SCALE DWG.</b>	FIRST USED ON <b>JR. PACMAN</b> DRN <b>TBB</b> DATE <b>11/29/83</b> SCALE <b>FULL</b>	<b>Bally/MIDWAY MFG. CO.</b> FRANKLIN PARK, IL 60131	<b>DIGITAL IN2</b>		
	MECH. CHR. _____ MAT. _____ ELEC. CHR. _____ FINISH _____		<b>JR. PACMAN (FIELD KIT)</b> <b>LOGIC P.C.</b> <b>A080-91694-BA29</b>		<b>REVISIONS</b>
				PART NO <b>M-0-5-1-0-0-A-2-9-B-0-1-4</b>	



THIS DWG IS CONFIDENTIAL & PROPERTY OF BALLY/MIDWAY MFG. CO.

SHEET 10 OF 22

<b>DIM. TOLERANCES</b> UNLESS OTHERWISE SPEC CONCENTRICITY T I R .002 FRACTIONAL ± 1/64 DECIMAL ± .005 HOLE DIA + .002 - .000 ANGLE ± 1/2° <b>DO NOT SCALE DWG.</b>	FIRST USED ON <b>JR. PACMAN</b>		
	DRN <b>TBB</b>	DATE <b>11/29/83</b>	SCALE <b>FULL</b>
	MECH CHK	MAT:	
	ELEC CHG	FINISH	

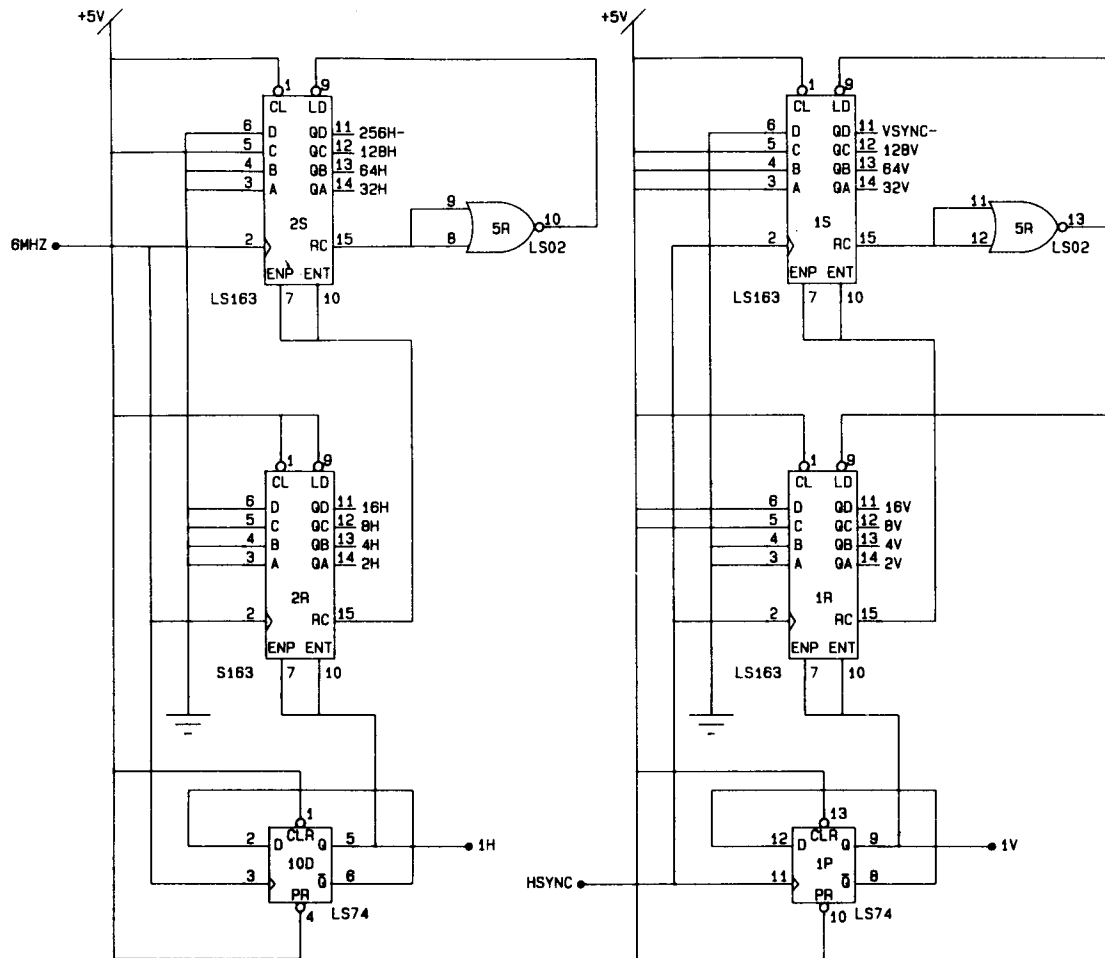
*Bally*/MIDWAY MFG. CO.  
FRANKLIN PARK, IL 60131

JR. PACMAN (FIELD KIT)  
LOGIC P.C.  
A080-91694-BA29

<b>DIPSWITCH</b>	
<b>REVISIONS</b>	
PART NO	M.0.5.1-0.0.A.2.9-B.0.1.4







THIS DWG IS CONFIDENTIAL & PROPERTY OF BALLY/MIDWAY MFG. CO.

SHEET 12 OF 22

<b>DIM. TOLERANCES</b> UNLESS OTHERWISE SPEC CONCENTRICITY T.I.R. .002 FRACTIONAL ± 1/64 DECIMAL ± .005 HOLE DIA. +.002 - .000 ANGLE ± 1/2° <b>DO NOT SCALE DWG.</b>	FIRST USED ON	JR. PACMAN	
	DRN	DATE	REVISE
	700	11/29/83	FULL
	MECH. CHR.	MAT'L	
	ELEC. CHR.	FINISH	

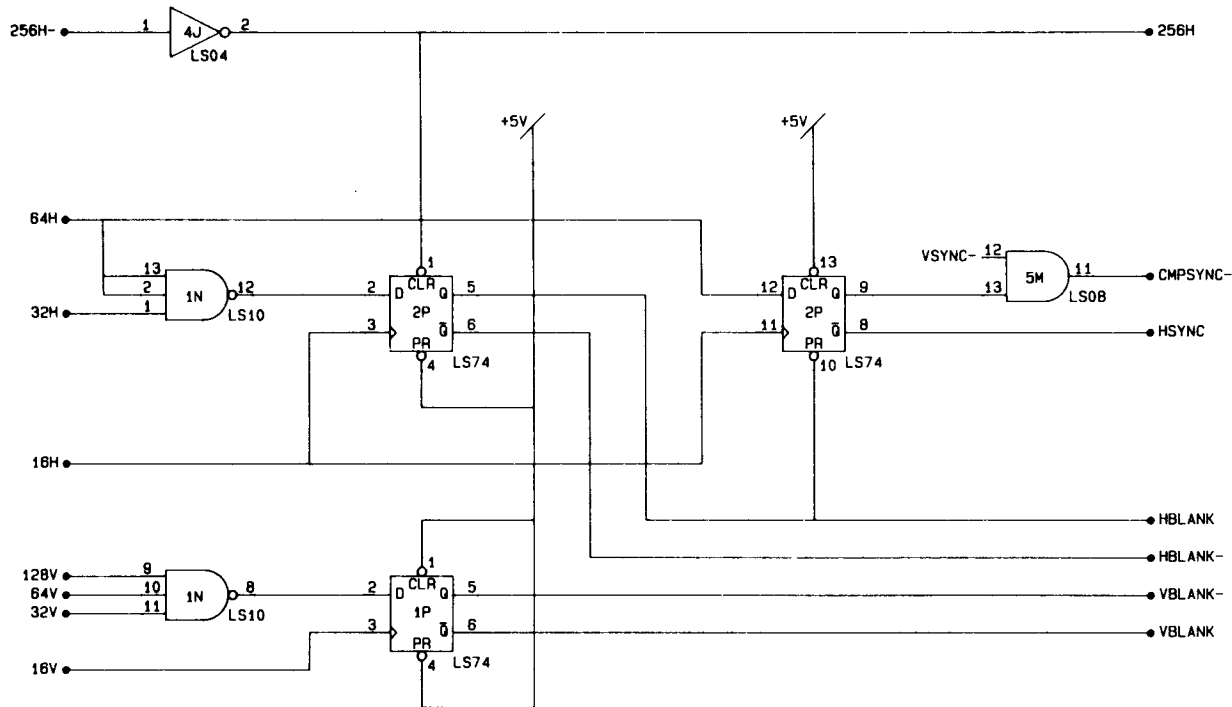
*Bally*/MIDWAY MFG. CO.  
FRANKLIN PARK, IL 60131

JR. PACMAN (FIELD KIT)  
LOGIC P.C.  
A080-91694-BA29

SYNC GENERATOR

REVISIONS

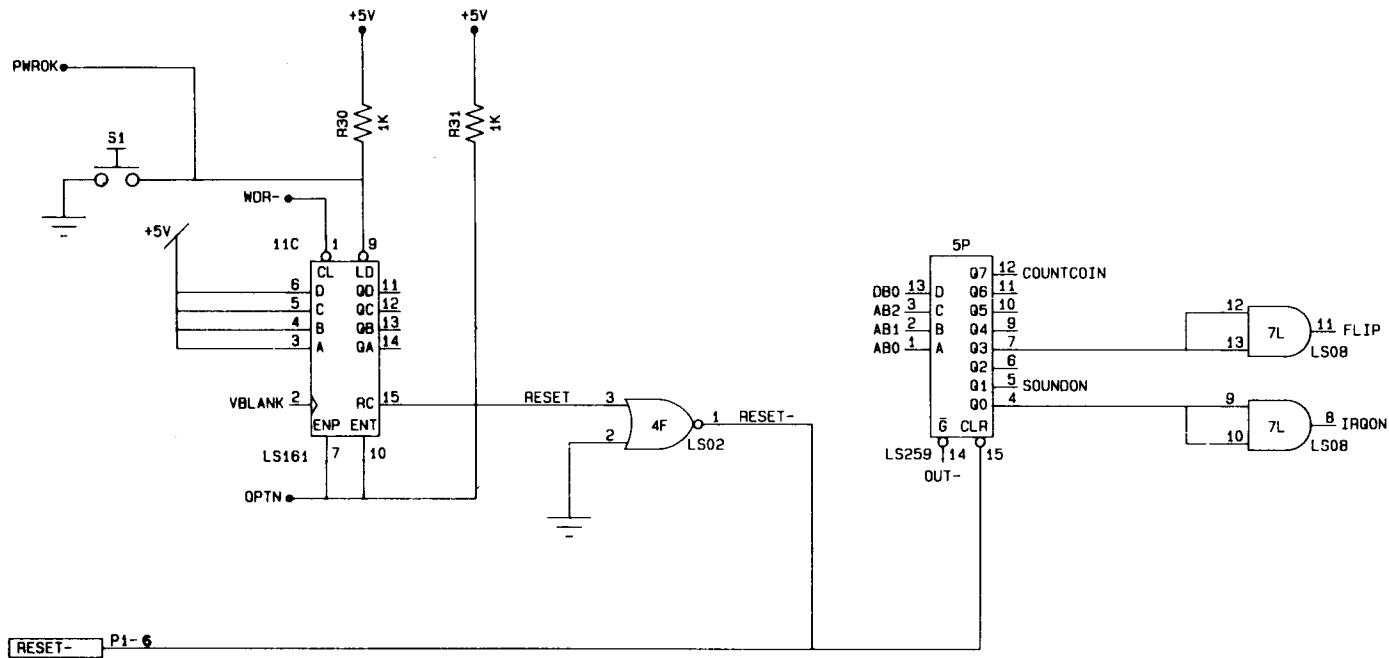
FART NO  
M.O.5.1-0.0.A.2.9-B.0.1.4



THIS DWG IS CONFIDENTIAL & PROPERTY OF BALLY/MIDWAY MFG CO

SHEET 13 OF 22

<b>DIM. TOLERANCES</b> UNLESS OTHERWISE SPEC. CONCENTRICITY T.I.R. 002 FRACTIONAL ± 1/64 DECIMAL ± 005 HOLE DIA. + 002 - 000 ANGLE ± 1/2° <b>DO NOT SCALE DWG.</b>	FIRST USED ON DRN <b>TEB</b>	DATE <b>11/29/83</b>	SCALE <b>FULL</b>	<i>Bally</i> / <b>MIDWAY MFG. CO.</b> FRANKLIN PARK, IL 60131	<b>BLANK GENERATOR</b>
	MECH. CHK ELEC. CHK	MAT. I FINISH	JR. PACMAN ( FIELD KIT ) LOGIC P.C. A080-91694-BA29		REVISIONS PART NO <b>M.Q.5.L-0.0.A.2.9-B.0.1.4</b>



RESET- P1-6

THIS DWG. IS CONFIDENTIAL & PROPERTY OF BALLY/MIDWAY MFG. CO.

SHEET 14 OF 22

<b>DIM. TOLERANCES</b> UNLESS OTHERWISE SPEC. CONCENTRICITY T I R .002 FRACTIONAL ± 1/64 DECIMAL ± .005 HOLE DIA + .002 - .000 ANGLE ± 1/2° <b>DO NOT SCALE DWG.</b>	FIRST USED ON <b>JR. PACMAN</b>	DATE <b>11/29/83</b>	SCALE <b>FULL</b>
	DWRN <b>TBB</b>	MECH. CHR.	MAT.
	ELEC. CHR.	FINISH	

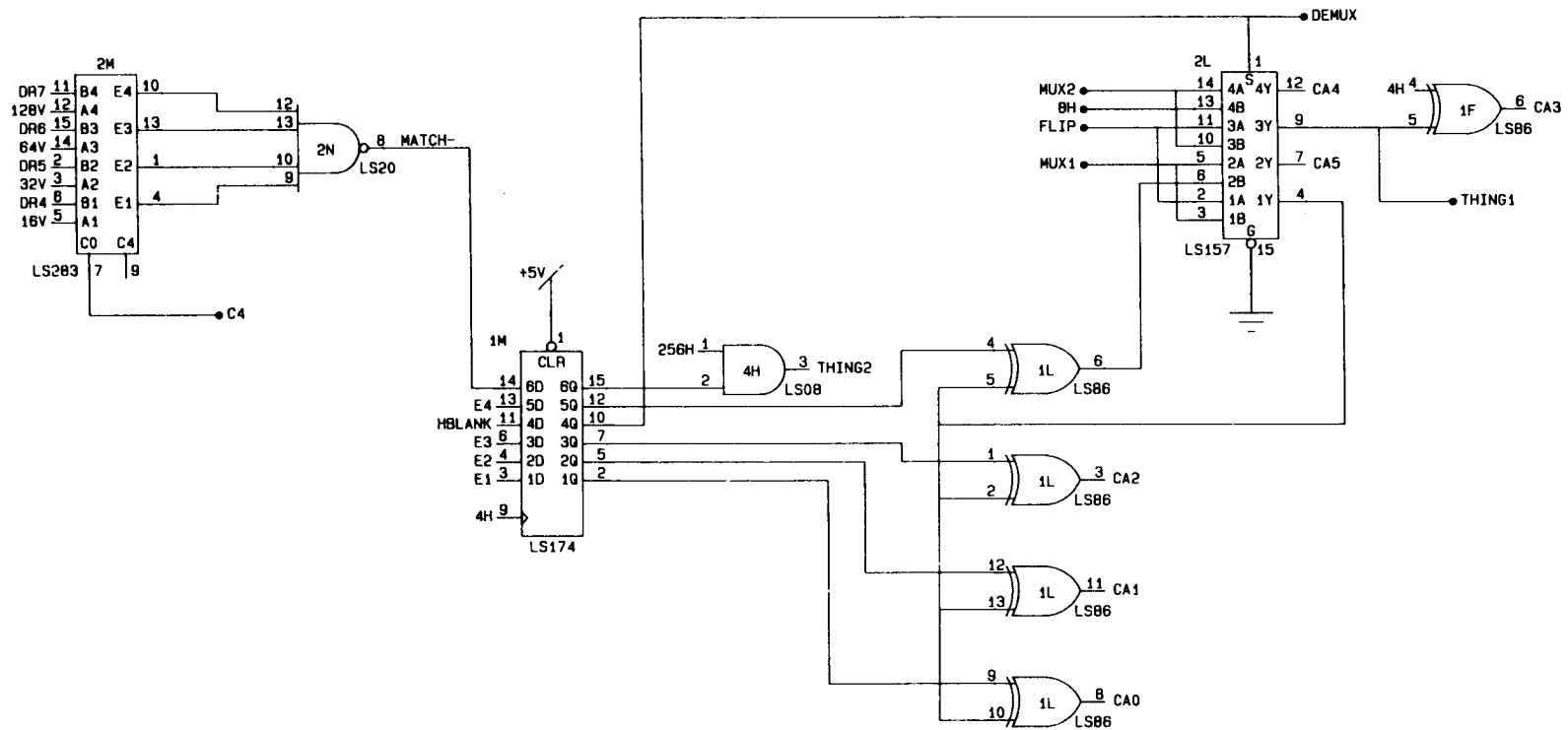
*Bally* / **MIDWAY MFG. CO.**  
FRANKLIN PARK, IL 60131

**JR. PACMAN (FIELD KIT)**  
LOGIC P.C.  
A080-91694-BA29

RESET IRQ

REVISIONS

PART NO  
M051-00A29-B014



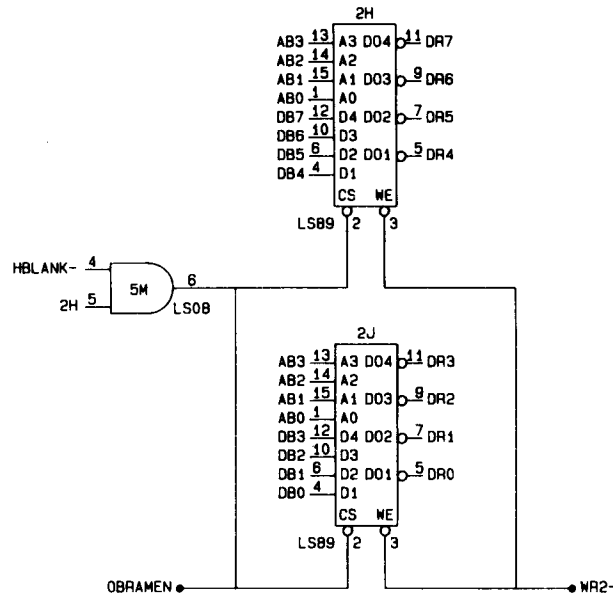
THIS DWG. IS CONFIDENTIAL & PROPERTY OF BALLY/MIDWAY MFG. CO.

SHEET 15 OF 22

<b>DIM. TOLERANCES</b> UNLESS OTHERWISE SPEC CONCENTRICITY T.I.R. 002 FRACTIONAL ± 1/64 DECIMAL ± 005 HOLE DIA + 002 - 000 ANGLE ± 1/2° <b>DO NOT SCALE DWG.</b>	FIRST USED ON <b>JR. PACMAN</b>	DATE <b>11/29/83</b>	SCALE <b>FULL</b>
	MECH. CHK <b>100</b>	MATE	
	ELEC. CHK	FINISH	

*Bally*/MIDWAY MFG. CO.  
 FRANKLIN PARK, IL 60131  
 JR. PACMAN (FIELD KIT)  
 LOGIC P.C.  
 A080-91694-BA29

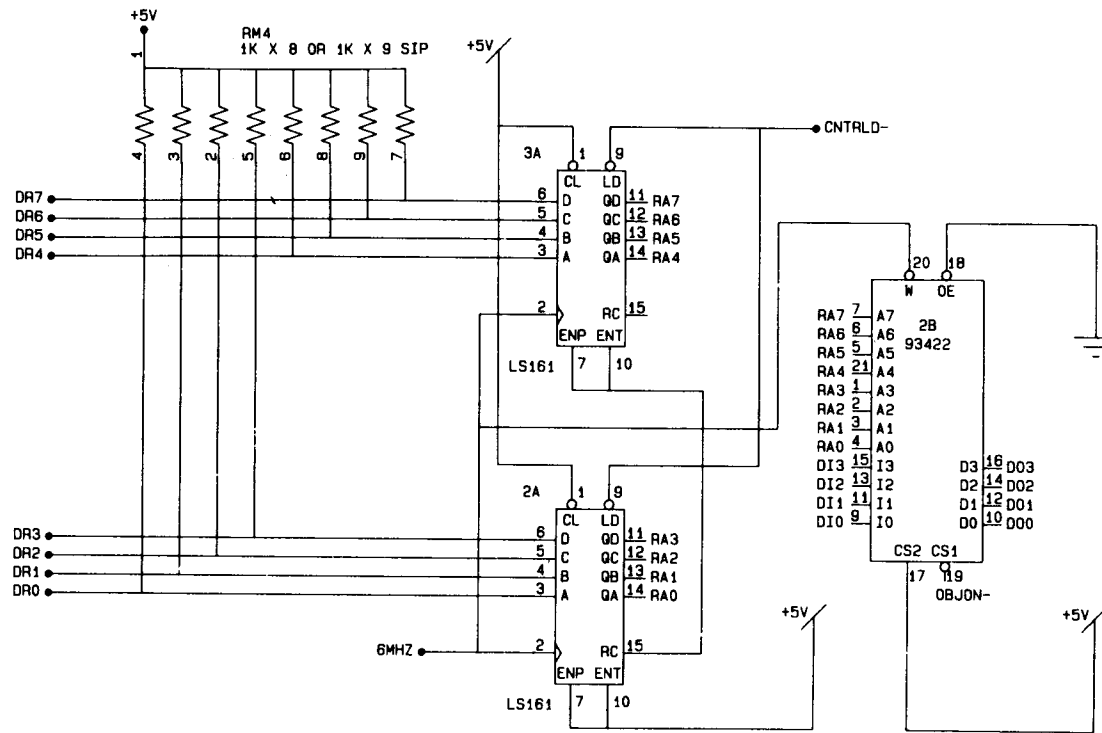
<b>VERT. ADDRESS TIMING</b> <b>REVISIONS</b>
PART NO <b>M051-00A29-B014</b>



THIS DWG IS CONFIDENTIAL & PROPERTY OF BALLY/MIDWAY MFG. CO.

<b>DIM. TOLERANCES</b> UNLESS OTHERWISE SPEC FRACTIONAL T.L.R. 002 CONCENTRICITY T.L.R. 002 ± 1/64 DECIMAL ± 005 HOLE DIA. +.002 - .000 ANGLE ± 1/2° <b>DO NOT SCALE DWG.</b>	FIRST USED ON <b>JR. PACMAN</b>	DATE <b>11/29/83</b>		SCALE <b>FULL</b>	<b>Bally/MIDWAY MFG. CO.</b> FRANKLIN PARK, IL 60131	<b>SHEET 16 OF 22</b>	
	MECH. CHK. <b>TBB</b>	MECH. CHK.	ELEC. CHK.	FINISH		<b>OBJECT RAM</b>	<b>REVISIONS</b>
	<b>JR. PACMAN (FIELD KIT)</b> <b>LOGIC P.C.</b> <b>A080-91694-BA29</b>					FART NO <b>M051-00A29-B014</b>	





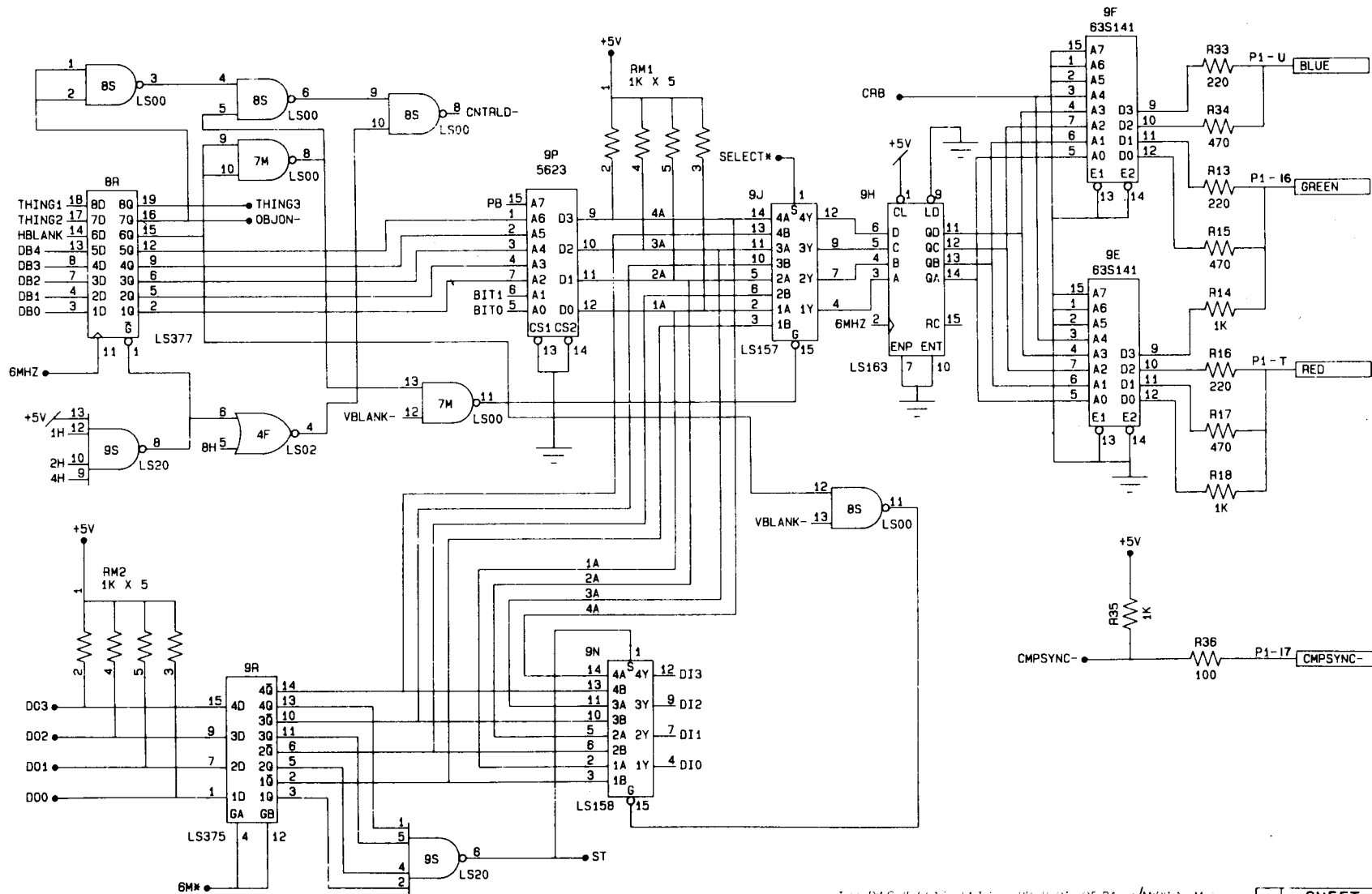
THIS DWG IS CONFIDENTIAL & PROPERTY OF BALLY/MIDWAY MFG. CO.

<b>DIM. TOLERANCES</b> UNLESS OTHERWISE SPEC CONCENTRICITY T.I.R. .002 FRACTIONAL . . . ± 1/64 DECIMAL . . . ± .005 HOLE DIA . . . +.002 - .000 ANGLE . . . ± 1/2° <b>DO NOT SCALE DWG.</b>	FIRST USED ON <b>JR. PACMAN</b>			
	DWRN <b>TBB</b>	DATE <b>11/29/83</b>	ALL <b>FULL</b>	
	MECH. CHK	MATL		
	ELEC. CHK	FINISH		

*Bally*/MIDWAY MFG. CO.  
FRANKLIN PARK, IL 60131

JR. PACMAN (FIELD KIT)  
LOGIC P.C.  
A080-91694-BA29

SHEET 18 OF 22	
LINE	RAM
REVISIONS	
PART NO	M.O.5.1-0.0.A.2.9-B.0.1.4



THIS DRAWING IS ONE OF THE PARTS OF BALLY/MIDWAY MODEL

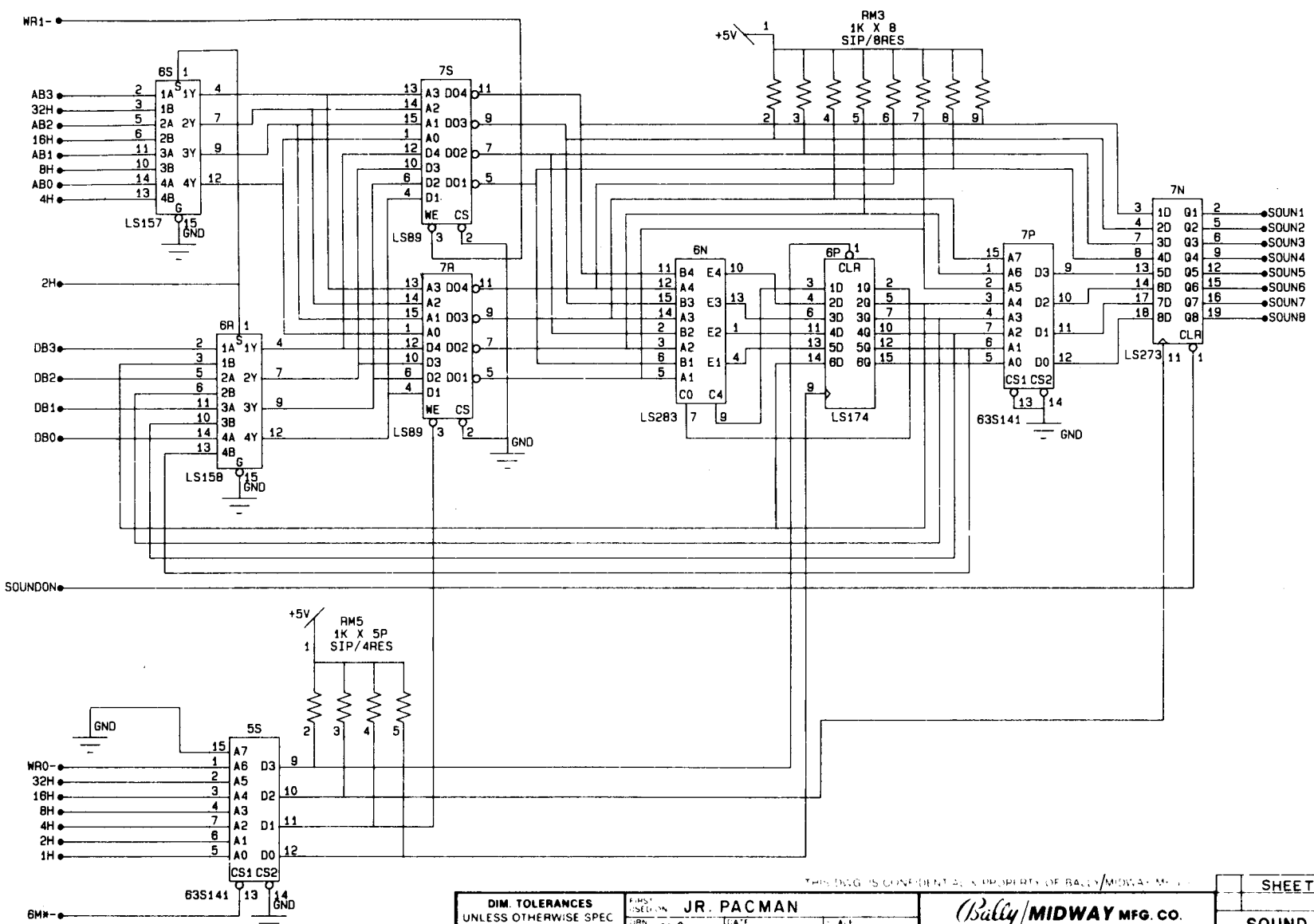
SHEET 19 OF 22

<b>DIM. TOLERANCES</b> UNLESS OTHERWISE SPEC CONCENTRICITY T I R .002 FRACTIONAL ± 1/64 DECIMAL ± .005 HOLE DIA + .002 - .000 ANGLE ± 1/2° <b>DO NOT SCALE DWG.</b>	PART USED IN: <b>JR. PACMAN</b> DRN: <b>TBB</b>	DATE: <b>11/29/83</b>	SCALE: <b>FULL</b>
	MECHANICAL:	FINISH:	
	FREE CHG:		

**Bally/MIDWAY MFG. CO.**  
 FRANKLIN PARK, IL 60131  
**JR. PACMAN (FIELD KIT)**  
 LOGIC P.C.  
 A080-91694-BA29

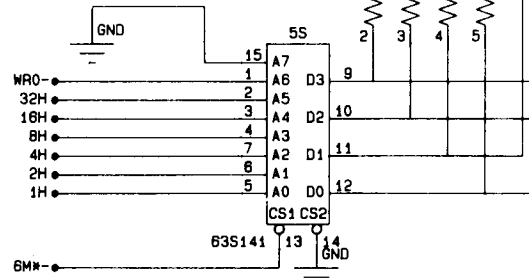
<b>COLOR ROM</b>	
<b>REVISIONS</b>	
PART NO	<b>M05100A29B014</b>





THIS DRAWING IS CONFIDENTIAL & PROPERTY OF BALLY/MIDWAY MFG. CO.

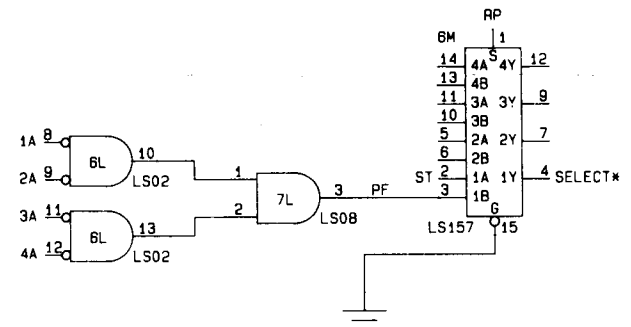
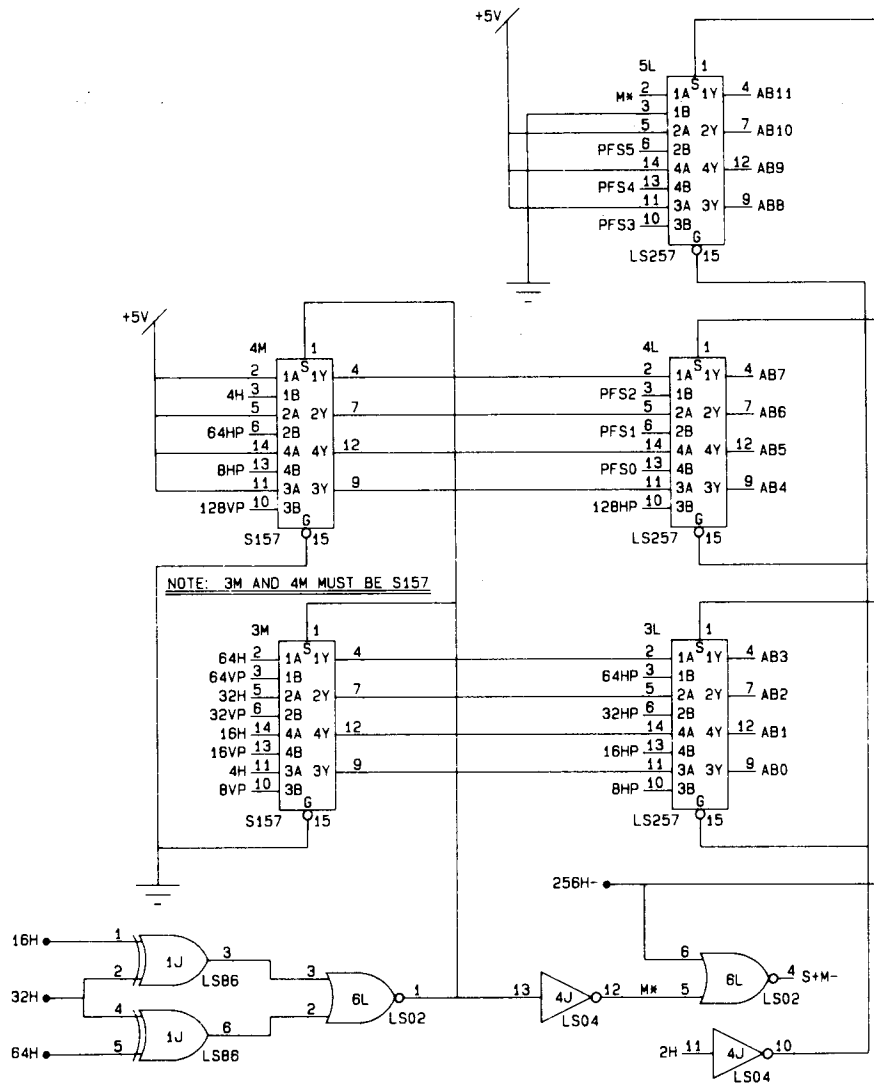
SHEET 20 OF 22



<b>DIM. TOLERANCES</b> UNLESS OTHERWISE SPEC CONCENTRICITY T1 P .002 FRACTIONAL ± 1/64 DECIMAL ± .005 HOLE DIA + .002 - .000 ANGLE ± 1/2° <b>DO NOT SCALE DWG.</b>	FIRST USED ON <b>JR. PACMAN</b>	DATE <b>11/29/83</b>	A/C <b>FULL</b>
	DRN <b>788</b>		
	MFG. CHN 	MAT.	
	ELEC. CHN 	FINISH	

**Bally/MIDWAY MFG. CO.**  
 FRANKLIN PARK, IL 60131  
**JR. PACMAN (FIELD KIT)**  
 LOGIC P.C.  
 A080-91694-BA29

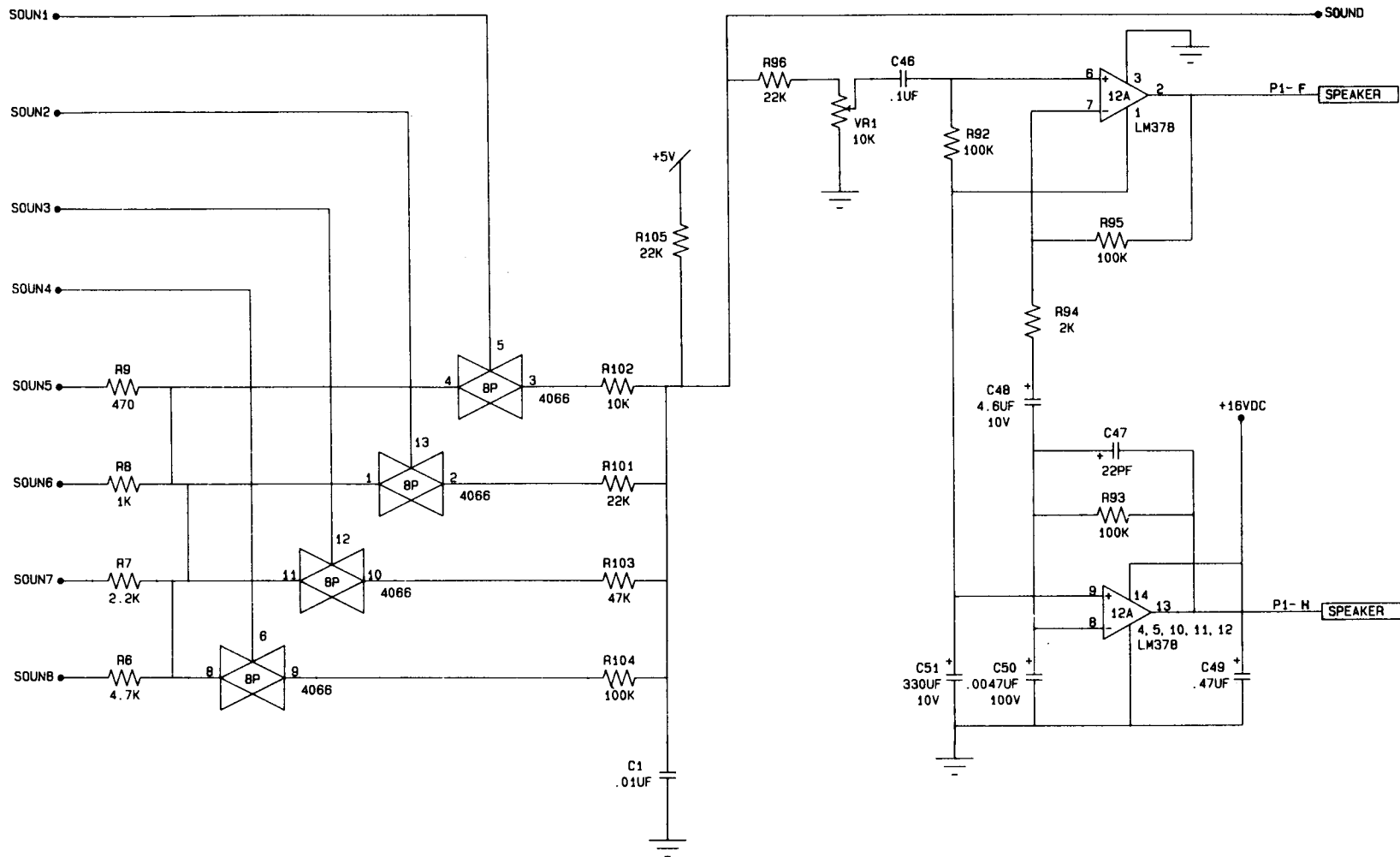
<b>SOUND</b>	
<b>REVISIONS</b>	
PART NO	
M05100A29B014	



<b>DIM TOLERANCES</b> UNLESS OTHERWISE SPEC CONCENTRICITY TYP .002 FRACTIONAL ± 1/64 DECIMAL ± .005 HOLE DIA .002 - .000 ANGLE ± 1/2 <b>DO NOT SCALE DWG.</b>	DESIGNED BY <b>JR. PACMAN</b> DATE <b>11/29/83</b>
	CHECKED BY DATE APPROVED BY

<b>Bally/MIDWAY MFG. CO.</b> FRANKLIN PARK, IL 60131 <b>JR. PACMAN (FIELD KIT)</b> <b>LOGIC P.C.</b> <b>A080-91694-BA29</b>
---

SHEET 21 OF 22 <b>PROMPT / STAMP VIDEO</b> <b>REVISIONS</b> PART NO <b>M05-1-00A-29-B01-4</b>
---



THIS DWG IS CONFIDENTIAL & PROPERTY OF BALLY/MIDWAY MFG. CO.

SHEET 22 OF 22

<b>DIM TOLERANCES</b> UNLESS OTHERWISE SPEC CONCENTRICITY T I R .002 FRACTIONAL ± 1/64 DECIMAL ± .005 HOLE DIA + .002 - .000 ANGLE ± 1/2° <b>DO NOT SCALE DWG.</b>	FIRST USELON <b>JR. PACMAN</b>	DRN <b>TBB</b>	DATE <b>11/29/83</b>	SCALE <b>FULL</b>
	MECH CHG	DATE	SCALE	
	ELEC CHG	DATE	SCALE	
	FINISH	DATE	SCALE	

**Bally/MIDWAY MFG. CO.**  
 FRANKLIN PARK, IL 60131  
**JR. PACMAN (FIELD KIT)**  
 LOGIC P.C.  
 A080-91694-BA29

<b>AUDIO AMPLIFIER</b>	
<b>REVISIONS</b>	
PART NO	M0-5-1-0-0-A-2-9-B-0-1-4